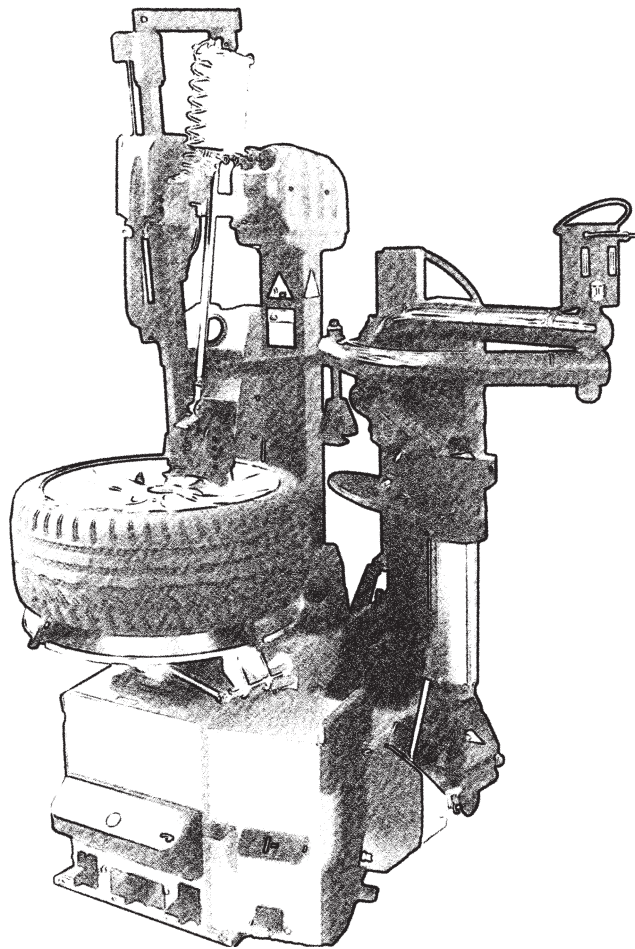


monty 3300 racing AT

VAS 6674 AT

Ersatzteilliste
Spare parts list
Liste des pièces détachées

Reifenmontiermaschine
Tyre changer
Démonte-pneus



HOFMANN® 



B L A N K P A G E



DIESER ABSCHNITT IST AUSSCHLIESSLICH DEM WARTUNGSFACH-UND KUNDENDIENSTPERSONAL VORBEHALTEN

THIS PART IS FOR EXCLUSIVE USE OF QUALIFIED PERSONNEL FOR MAINTENANCE AND SERVICE PURPOSES.

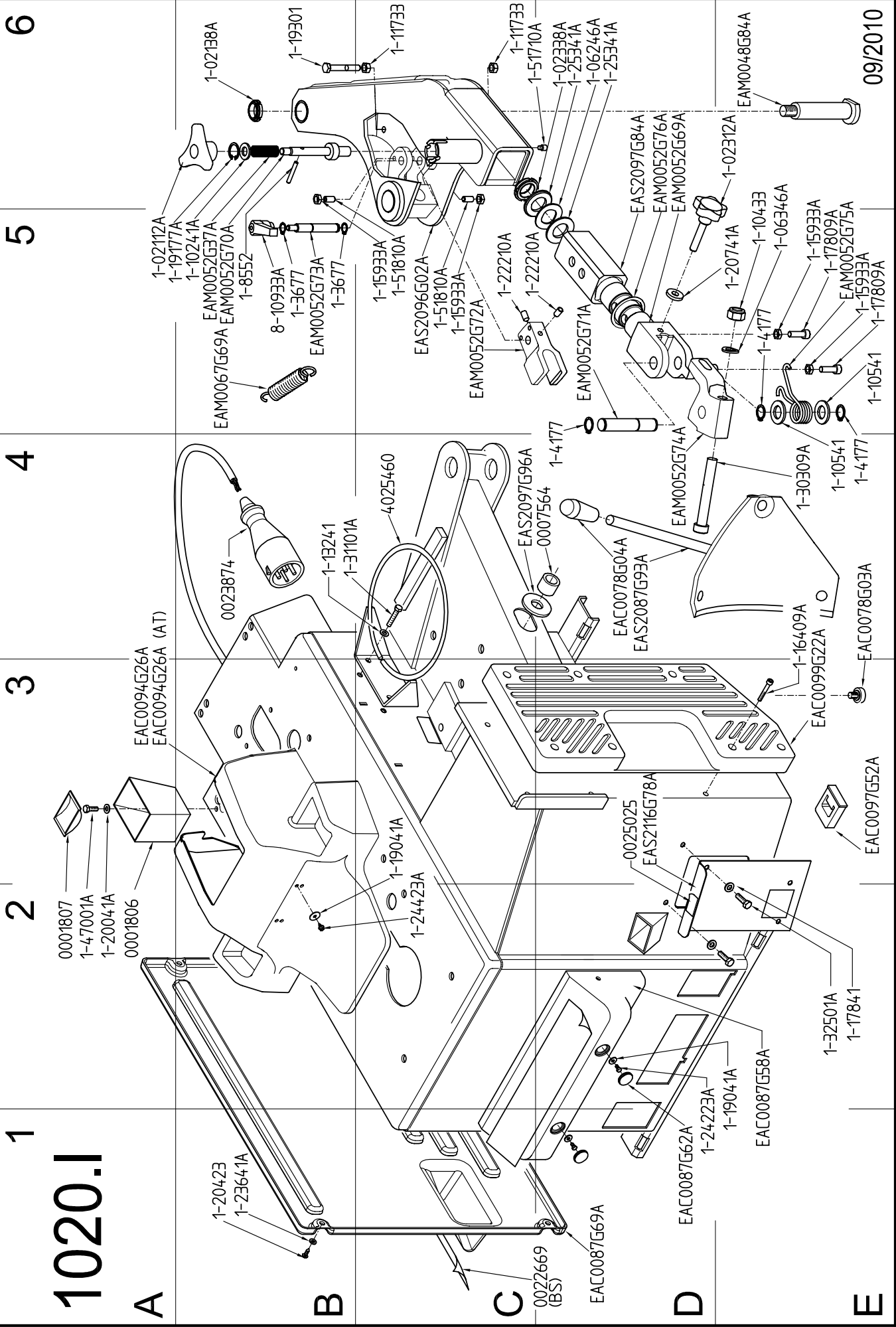
CETTE PARTIE EST RESERVEE AU PERSONNEL QUALIFIE ET AUTORISE A LA MAINTENANCE ET AU SERVICE APRES-VENTE.

QUESTA PARTE È AD USO ESCLUSIVO DEL PERSONALE QUALIFICATO ED AUTORIZZATO ALLA MANUTENZIONE ED ASSISTENZA.

ESTA PARTE ES PARA USO EXCLUSIVO DEL PERSONAL CALIFICADO Y AUTORIZADO PARA EL MANTENIMIENTO Y LA ASISTENCIA.

ESTA PARTE ES PARA USO EXCLUSIVO POR PESSOAL ESPECIALIZADO ED AUTORIZATO A LA MANUTENÇÃO

- **Bei Auftragserteilung anzugeben:** Maschinentype, Serinnummer, Artikel-Code, Menge.
- **On order specify:** type of machine and serial number item code and quantity.
- **A la commande:** bien préciser le type de la machine, le n° de serie, la référence de pièce, la quantité.
- **All'ordine specificare:** tipo macchina e matricola, codice e quantità del particolare.
- **En cada pedido hay que especificar:** el tipo de máquina y su número de matricula, el número de código de la pieza requerida y su cantidad.
- **Na encomenda especifique:** tipo da máquina e número de série, código do item e quantidade.



6

5

4

3

2

1

09/2010

1020.I

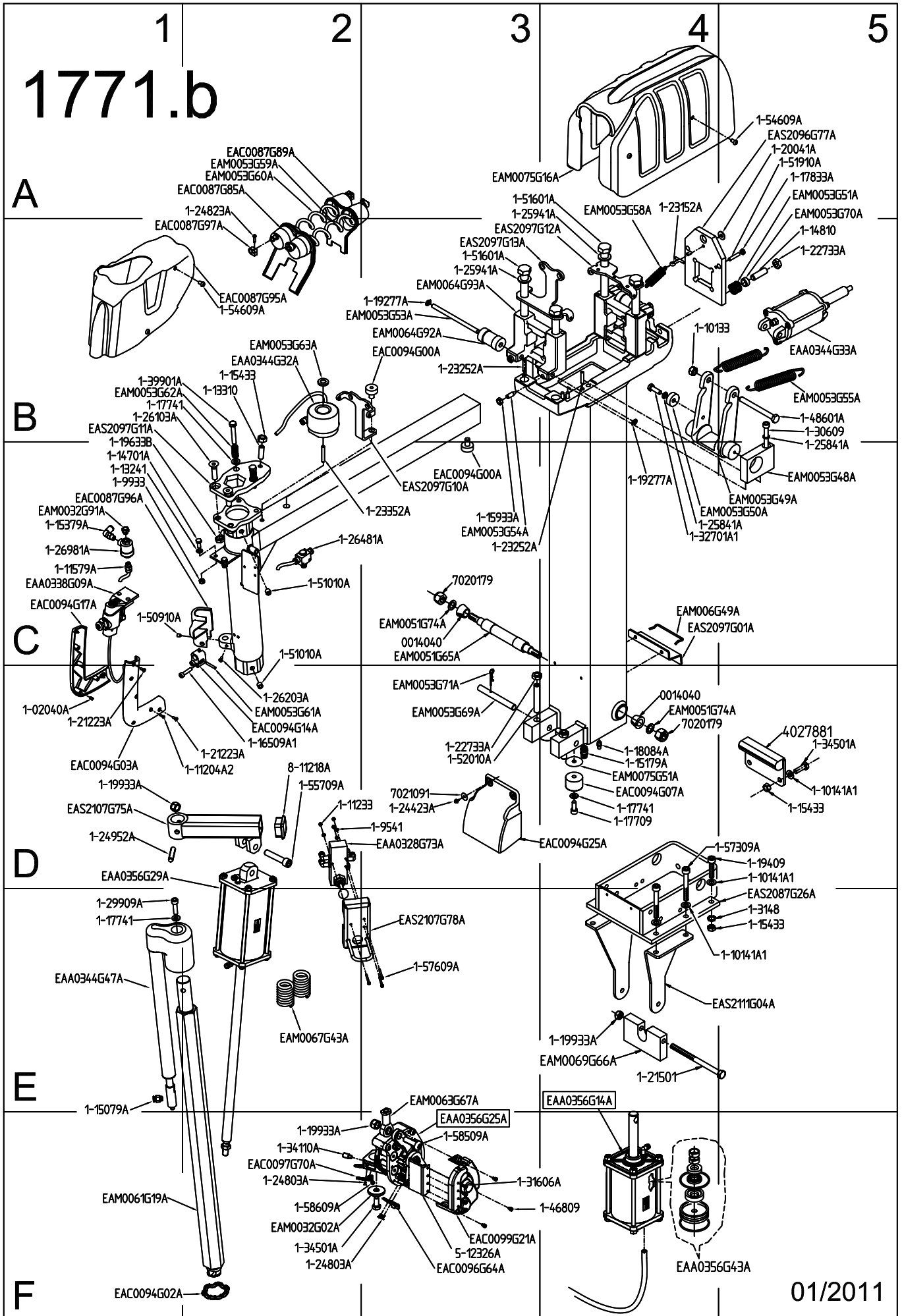
A

B

C

D

E



Booklet number: 255 - REV. E -

01/2011

6

5

4

3

2

1

1224.e

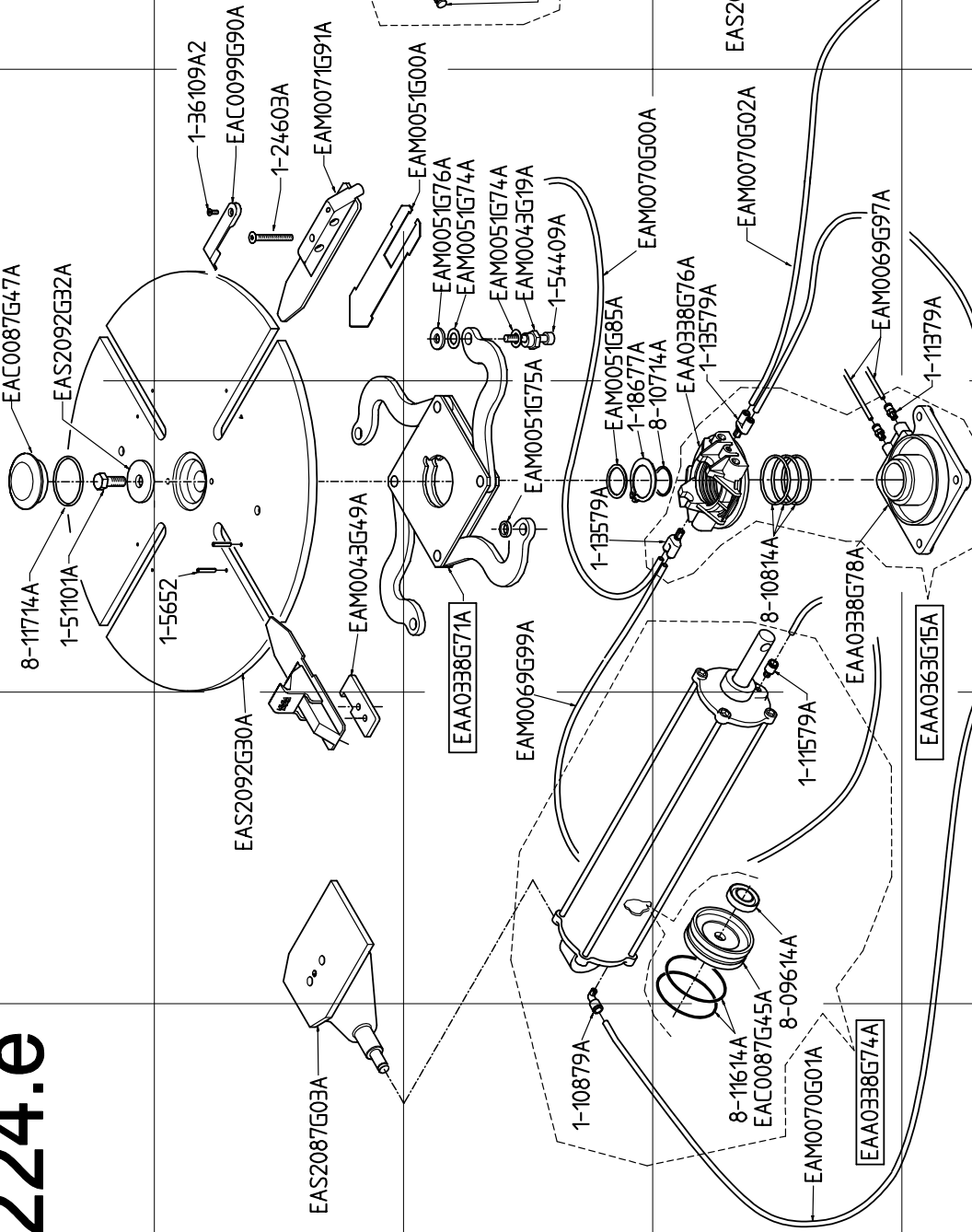
A

B

C

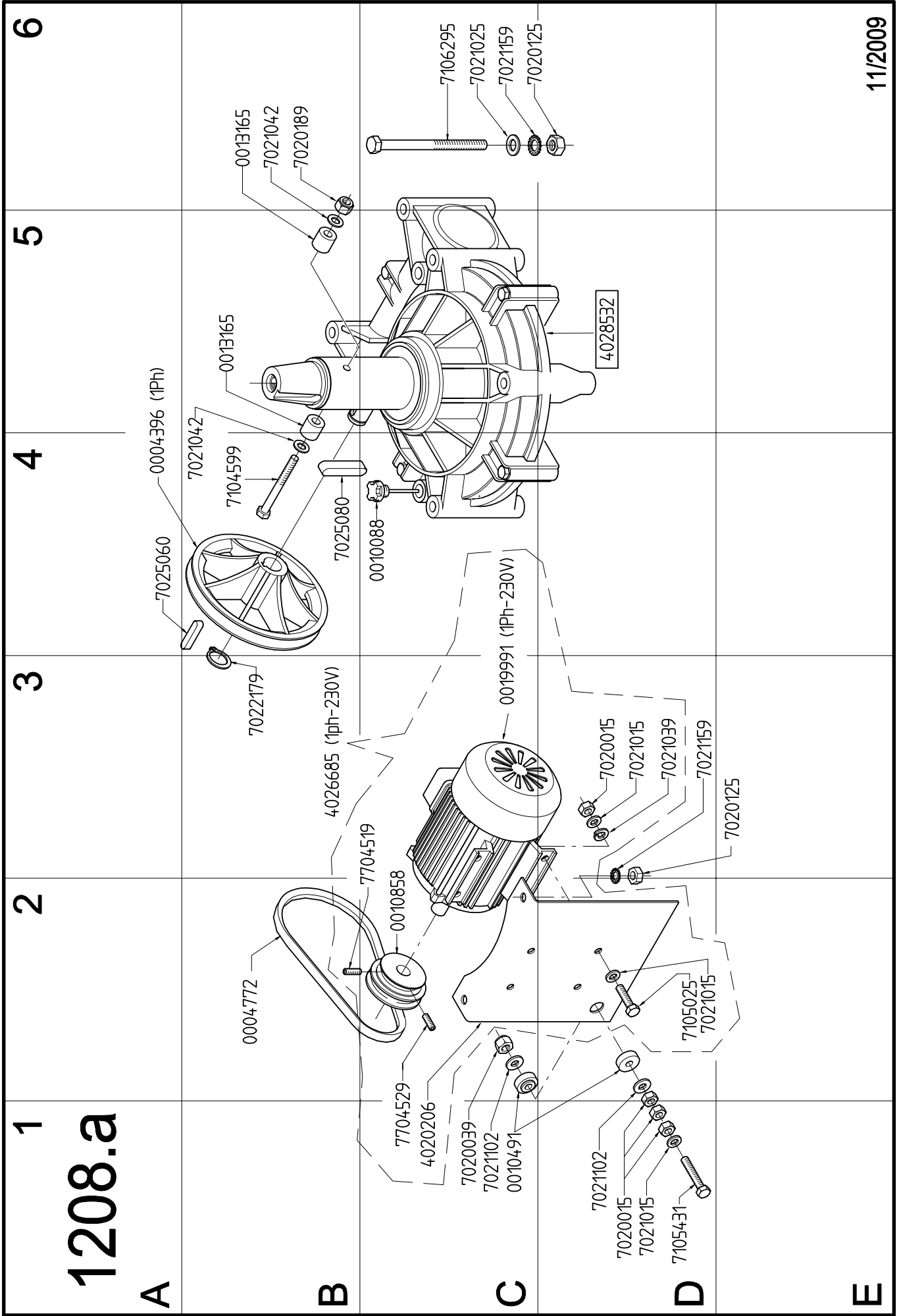
D

E



24"

05/2010



6

5

4

3

2

1

1520.b

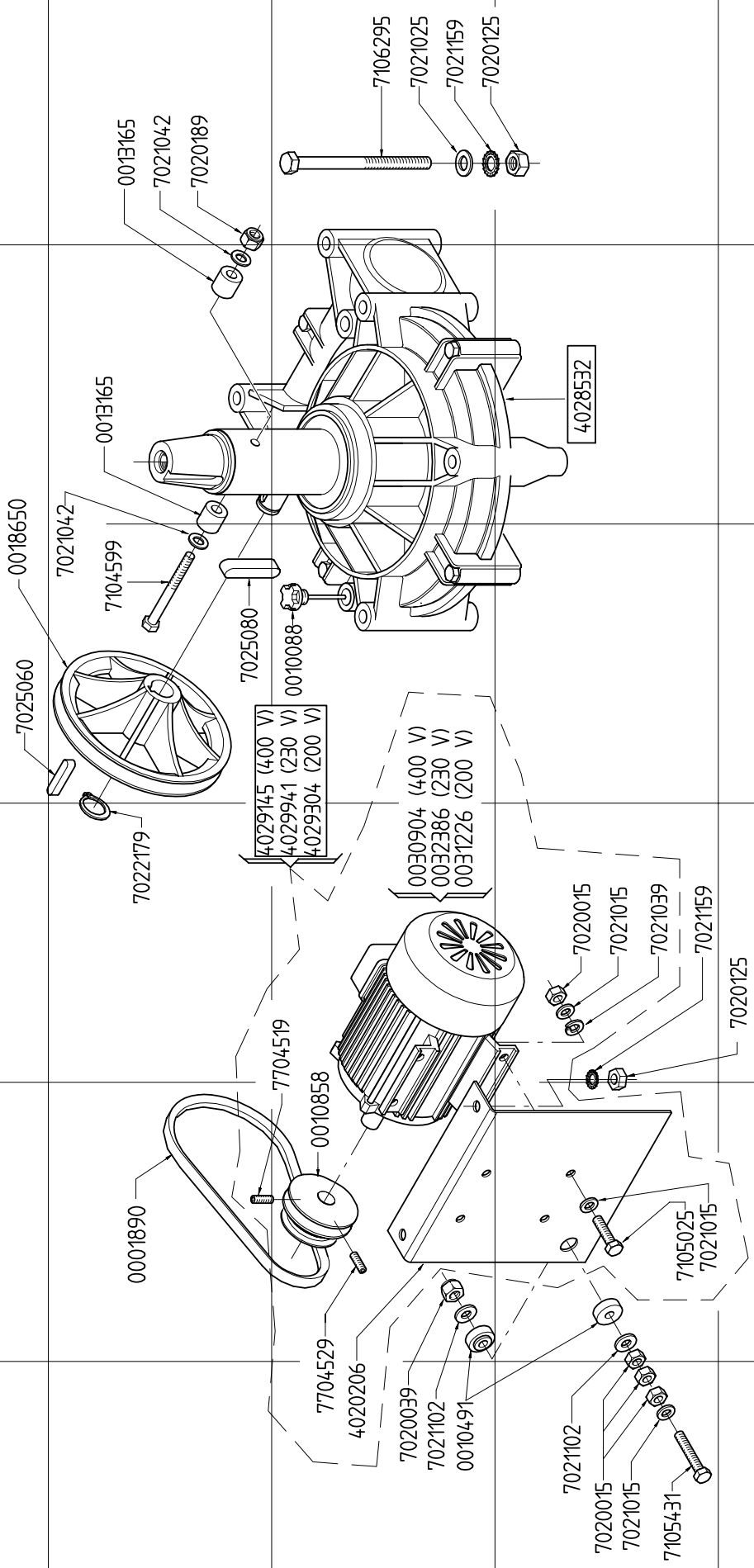
A

B

C

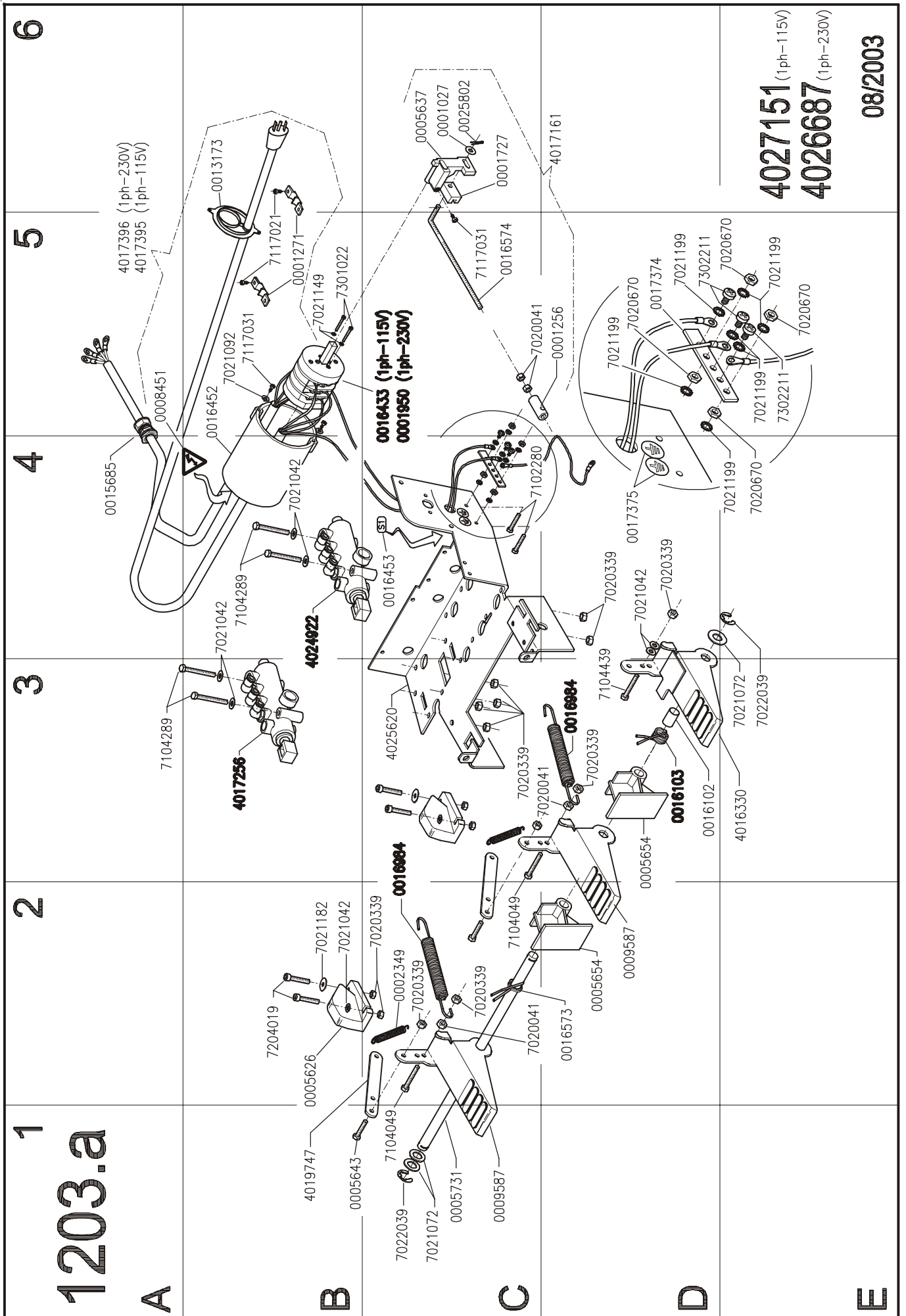
D

E



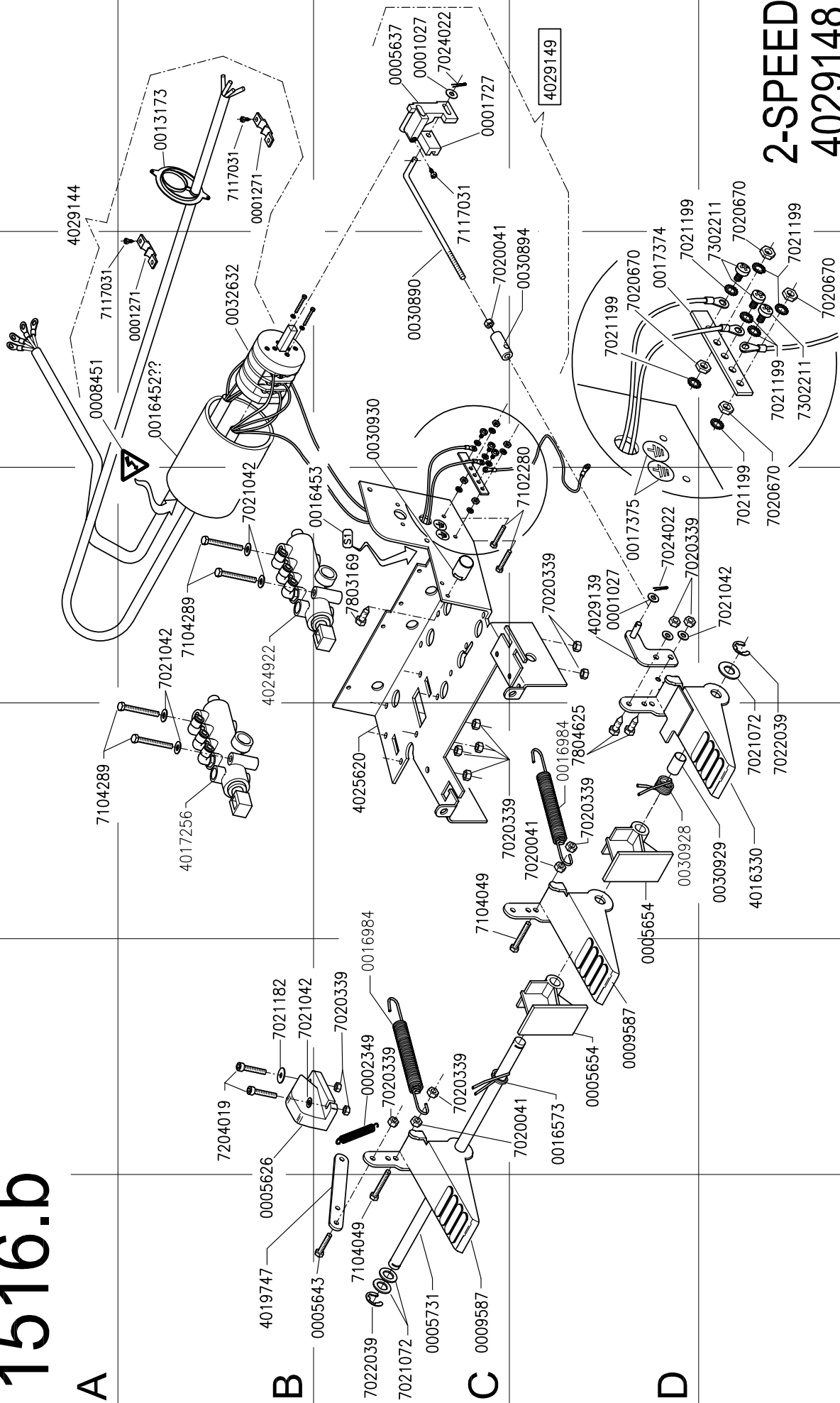
2-SPEED

11/2009

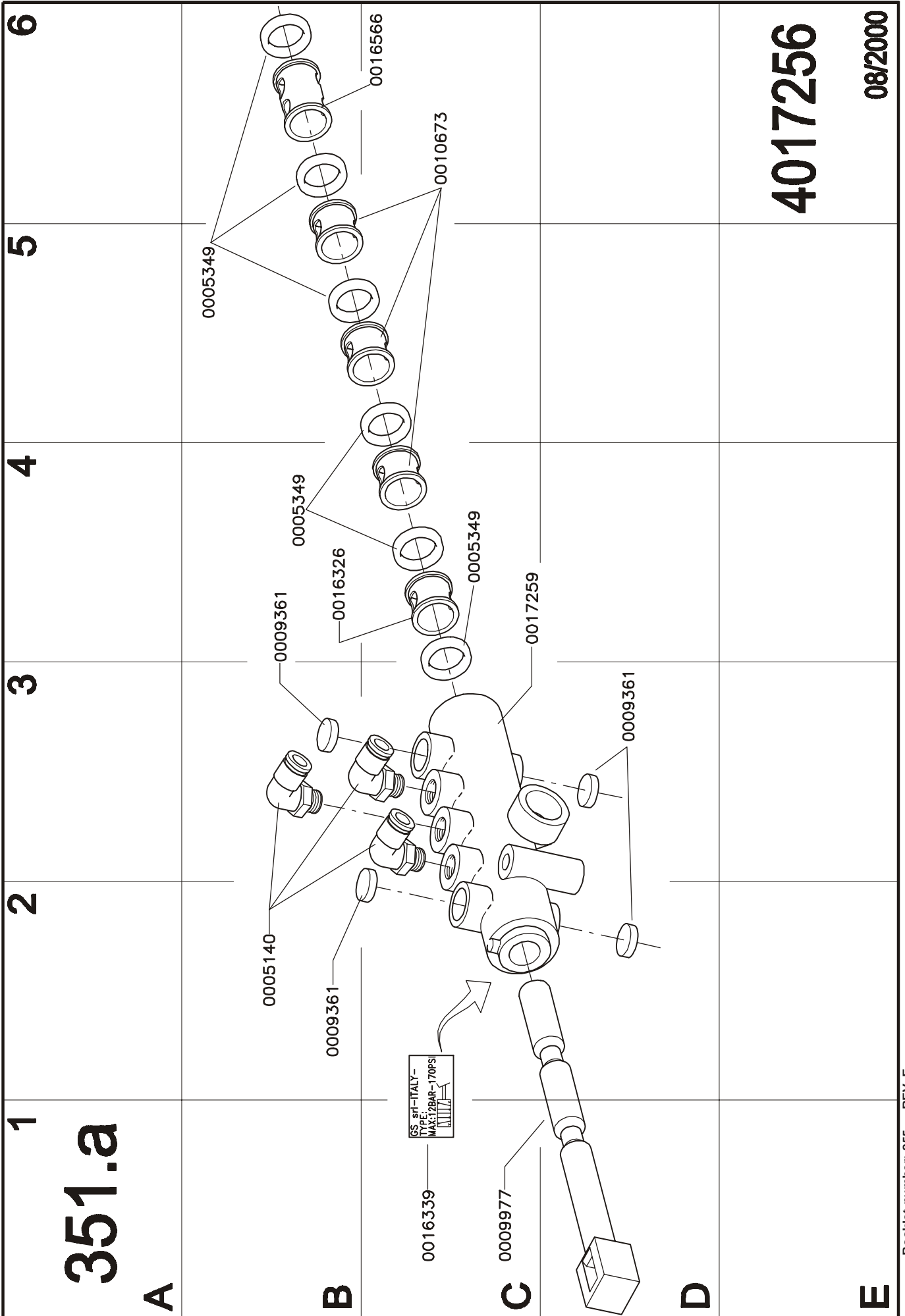


1 2 3 4 5 6

1516.b

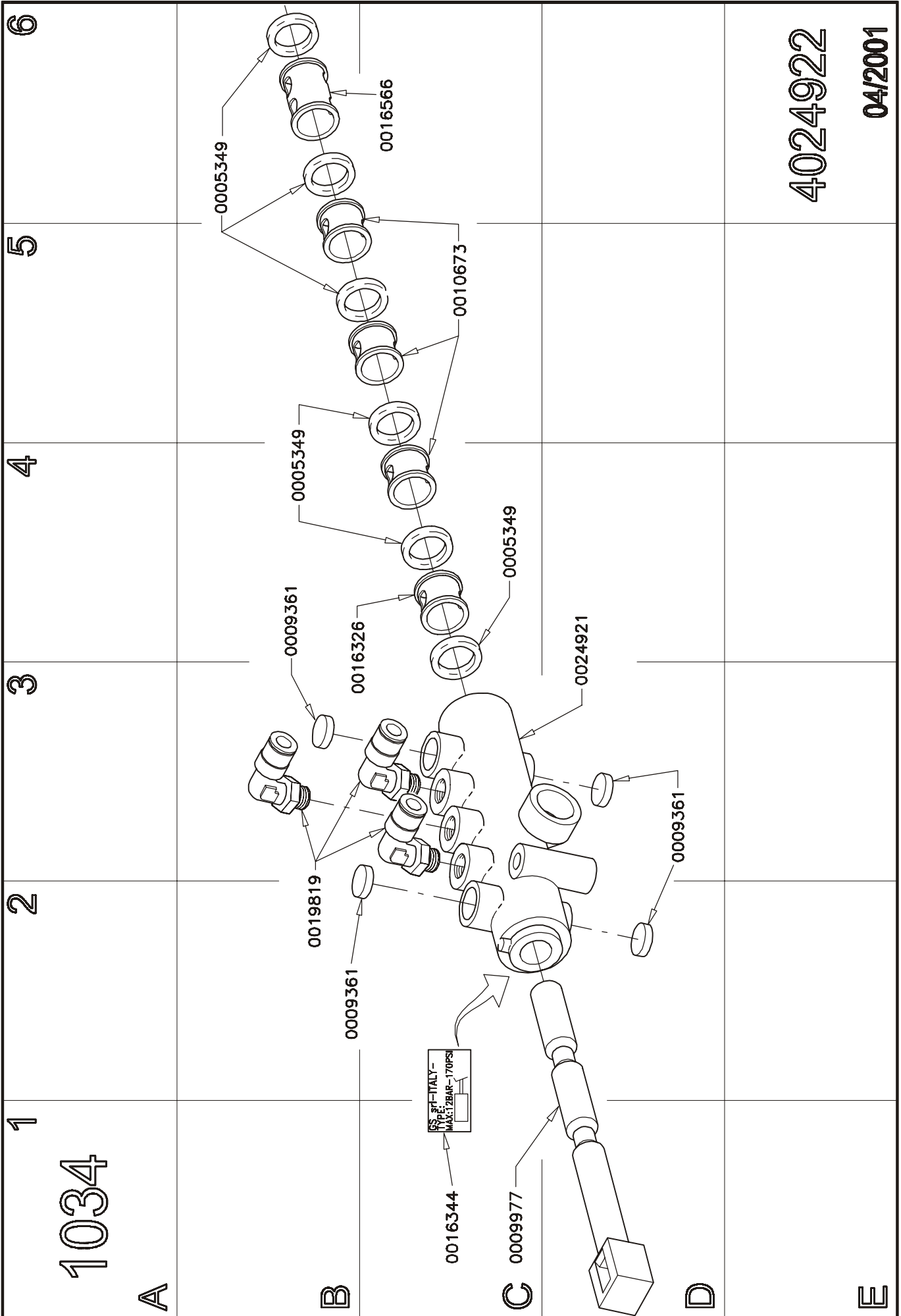


2-SPEED 4029148 03/2008



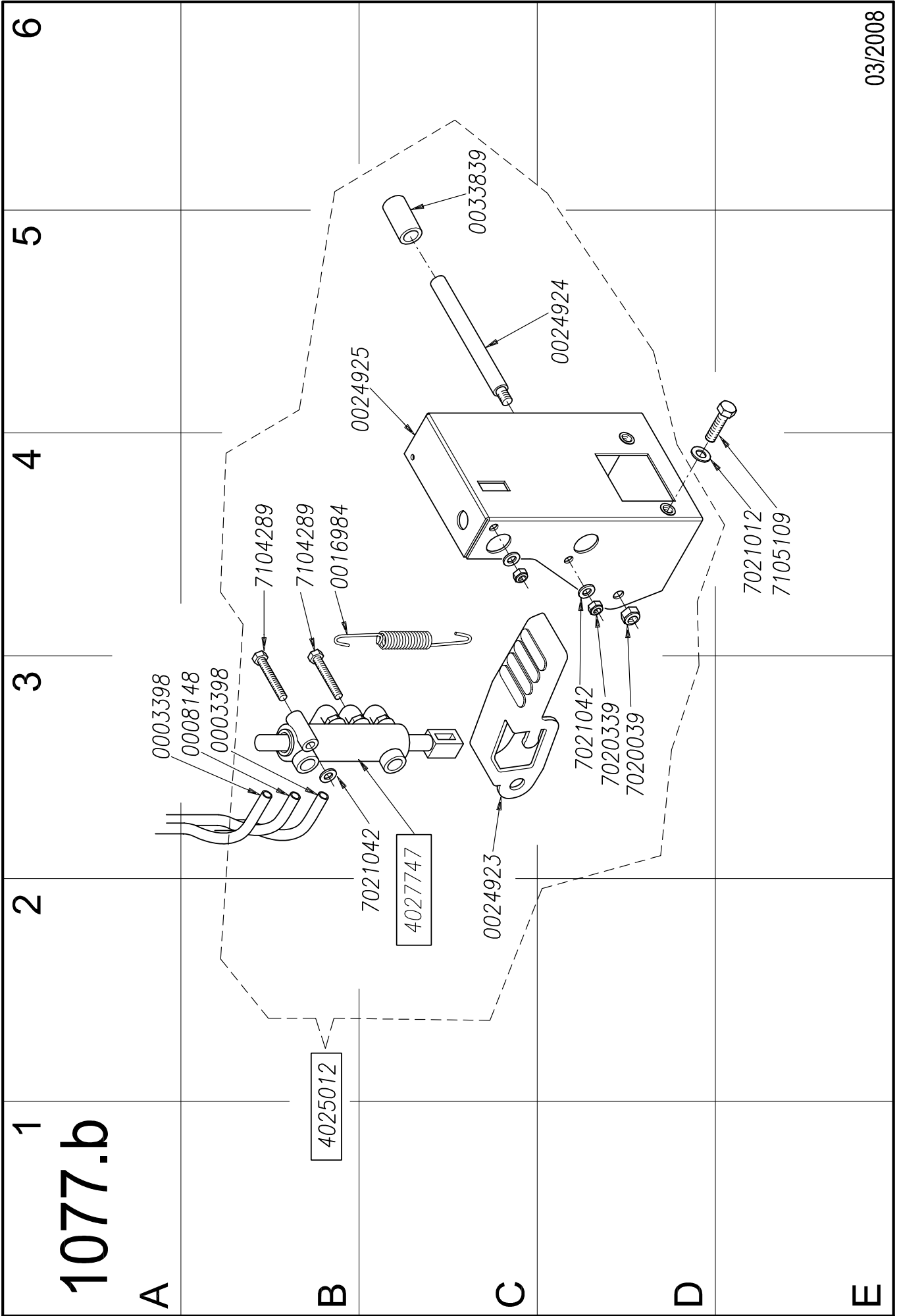
4017256

08/2000



4024922

04/2001



6

5

4

3

2

1

1077.b

A

B

C

D

E

03/2008

1

1300

A

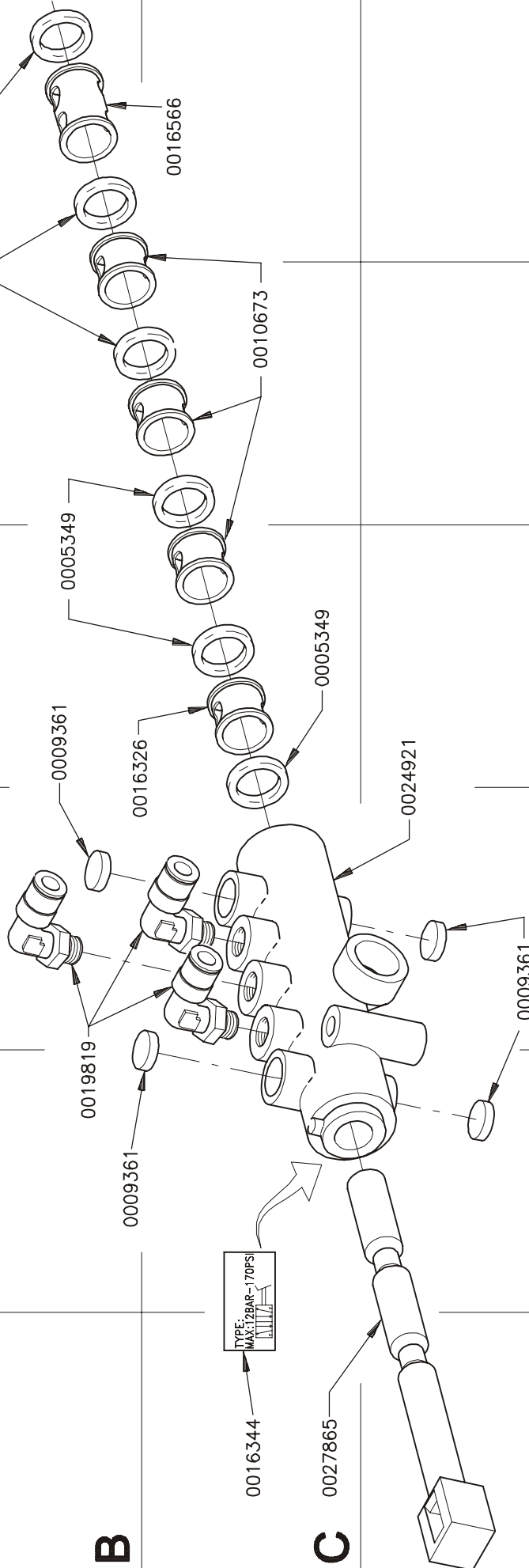
2

3

4

5

6



B

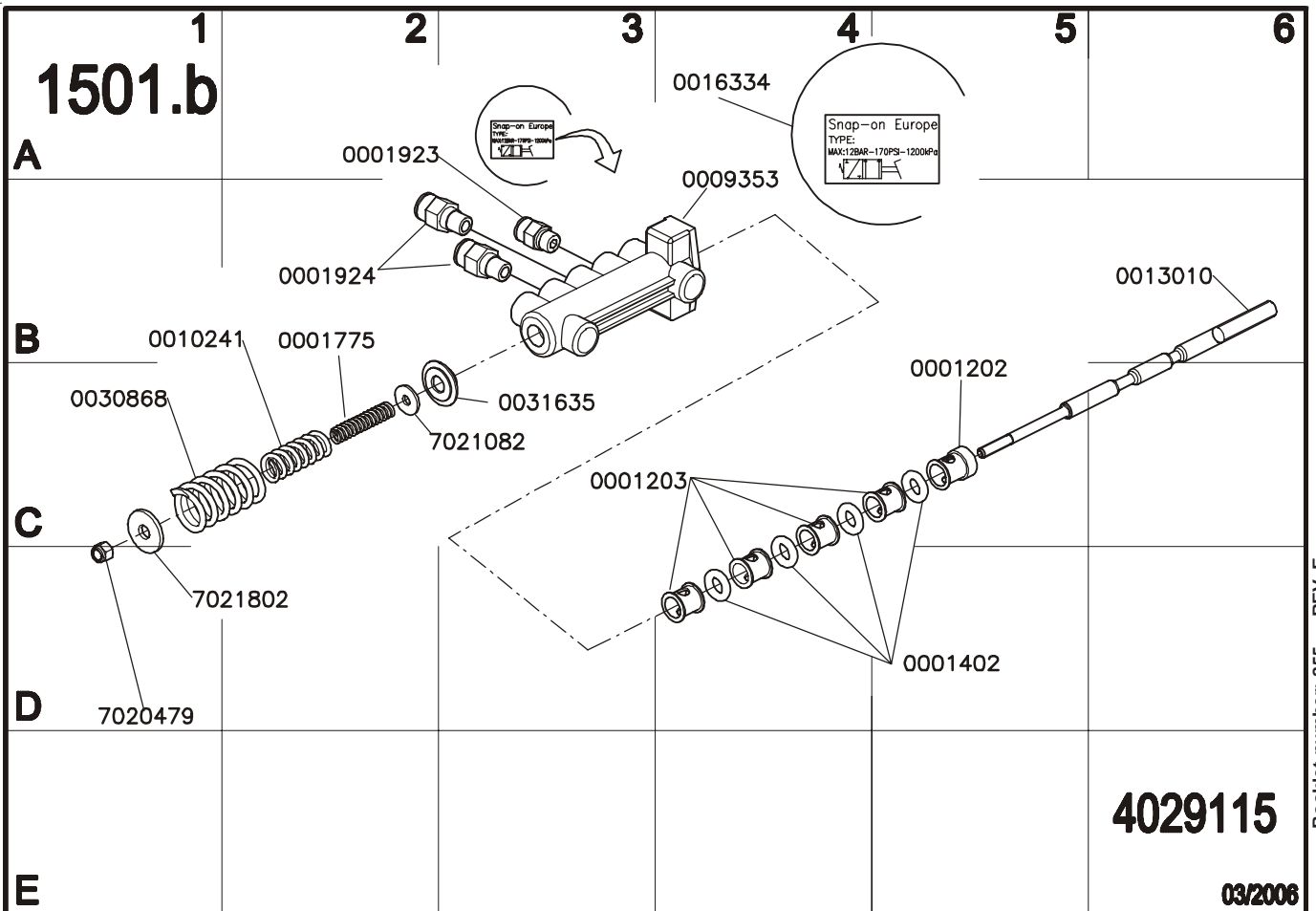
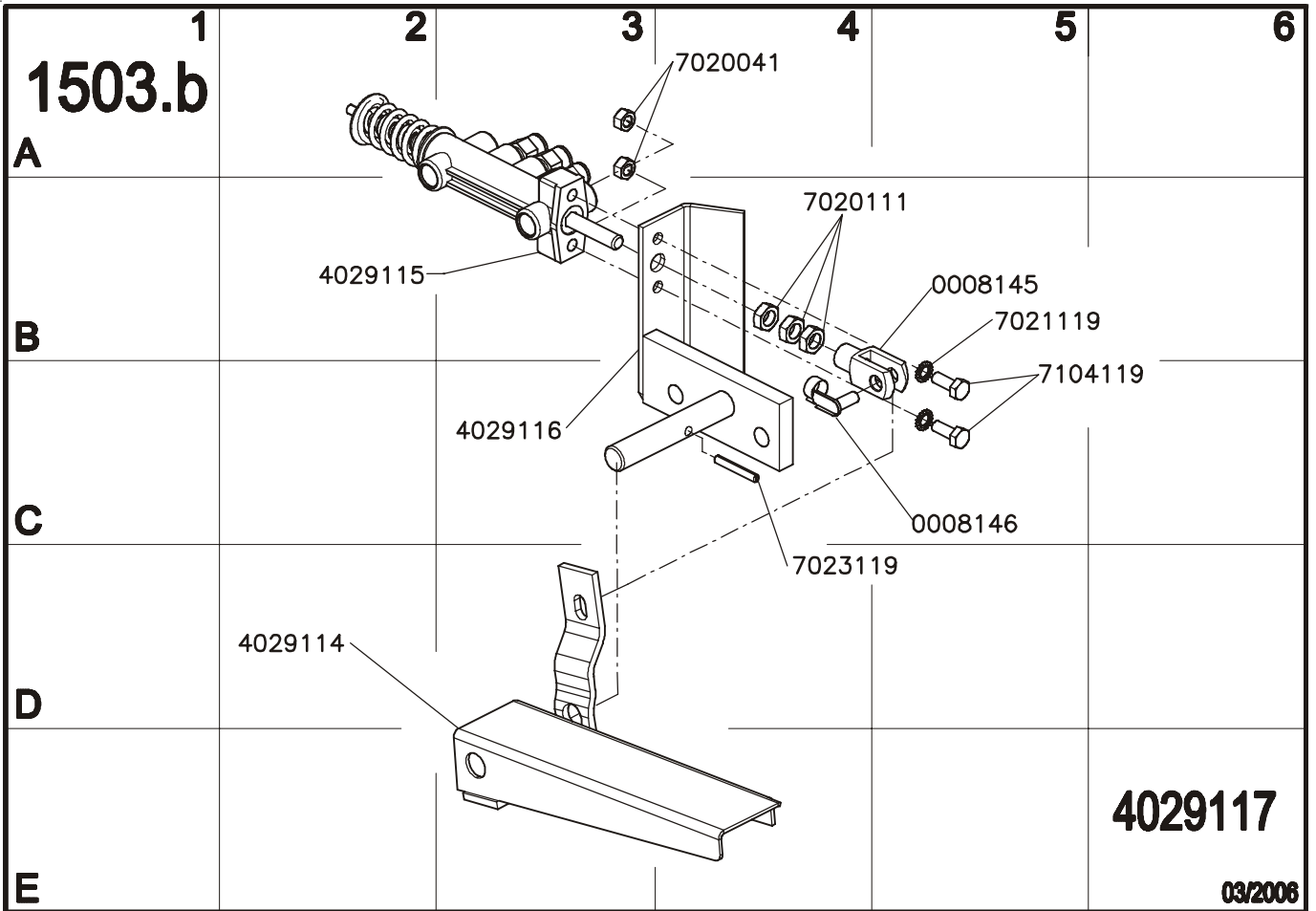
C

D

E

4027747

07/2003



6

5

4

3

2

1

1085.C

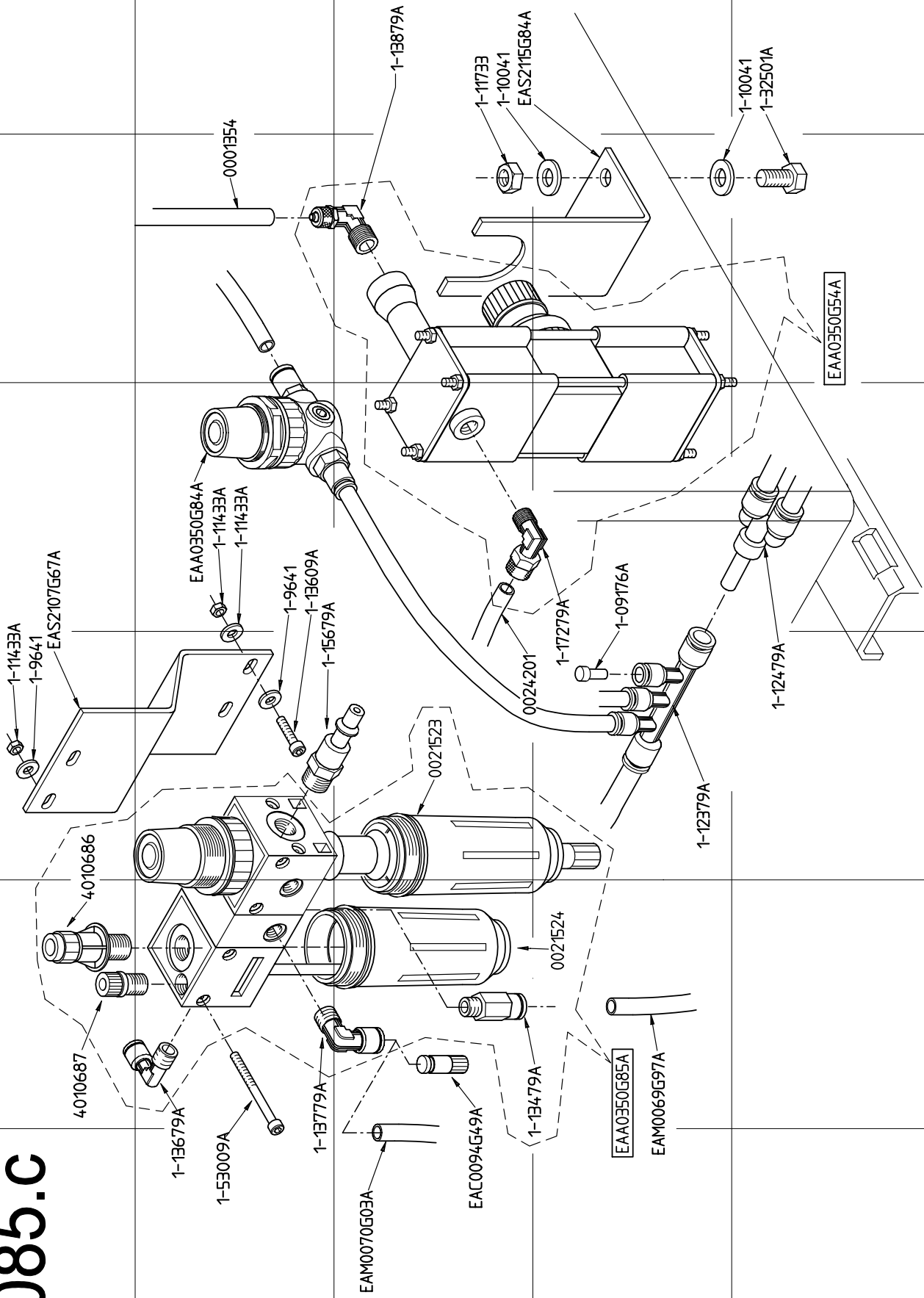
A

B

C

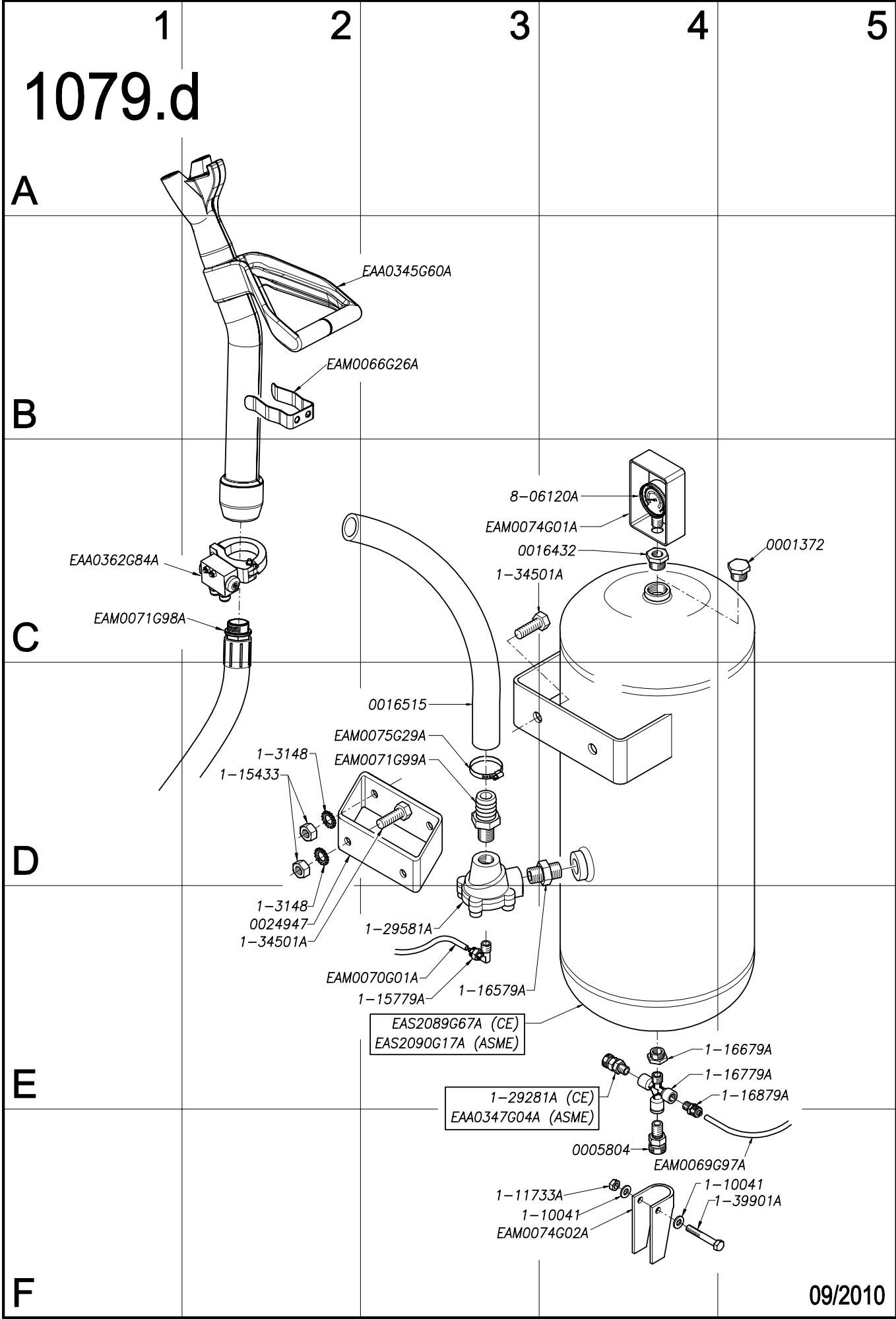
D

E



05/2010

1079.d



Booklet number: 255 _ REV. E _

09/2010

6

5

4

3

2

1

390.e

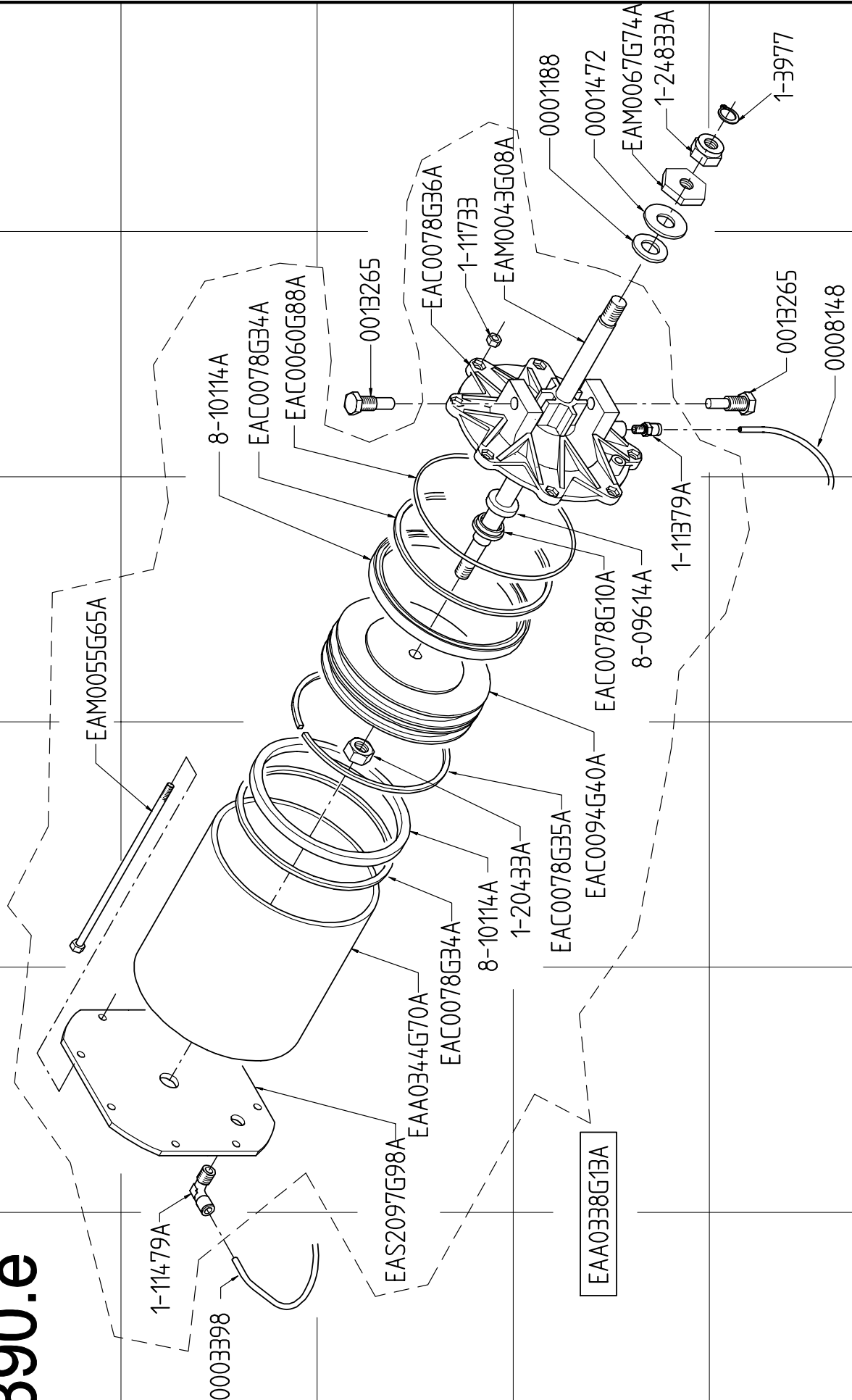
A

B

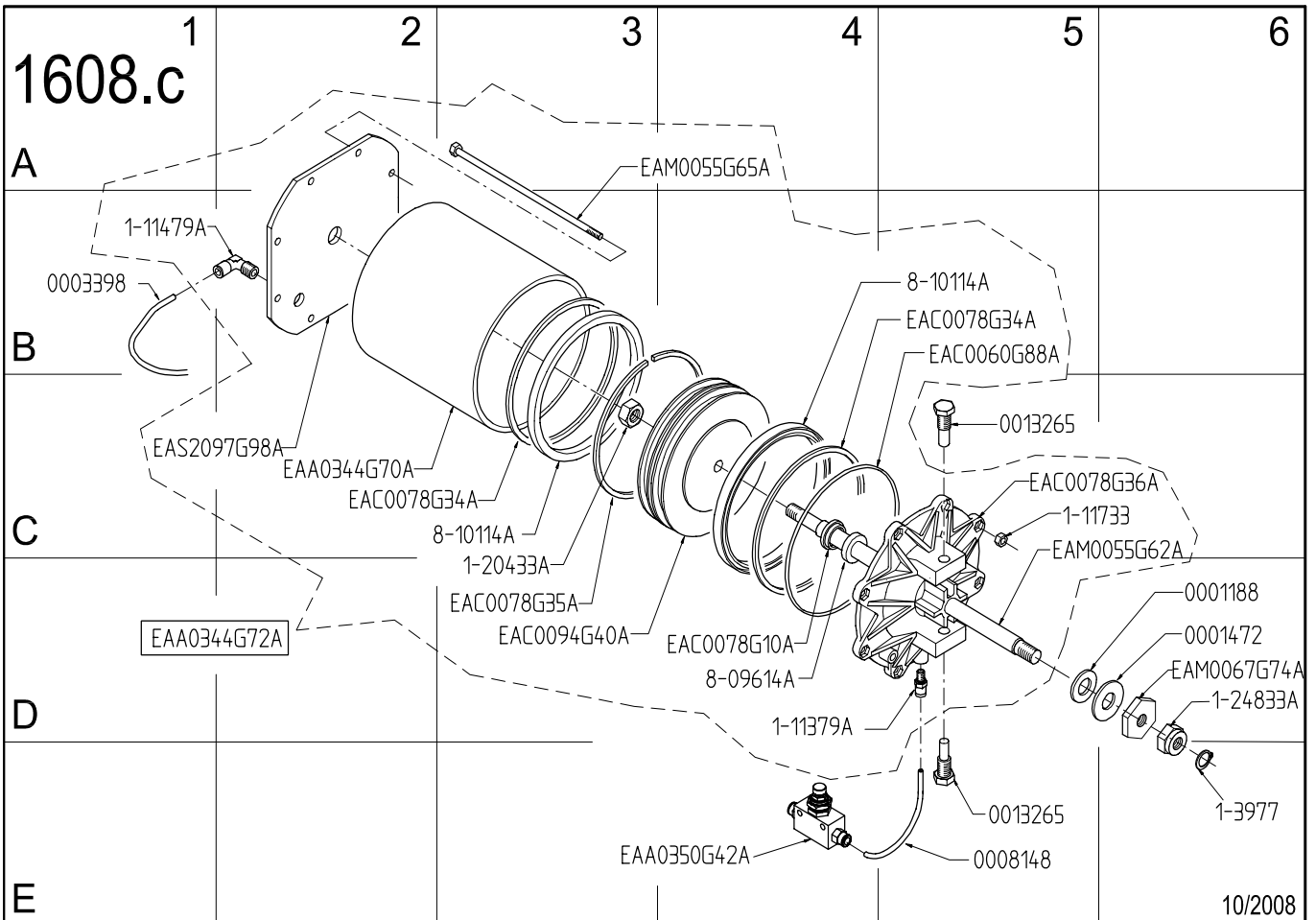
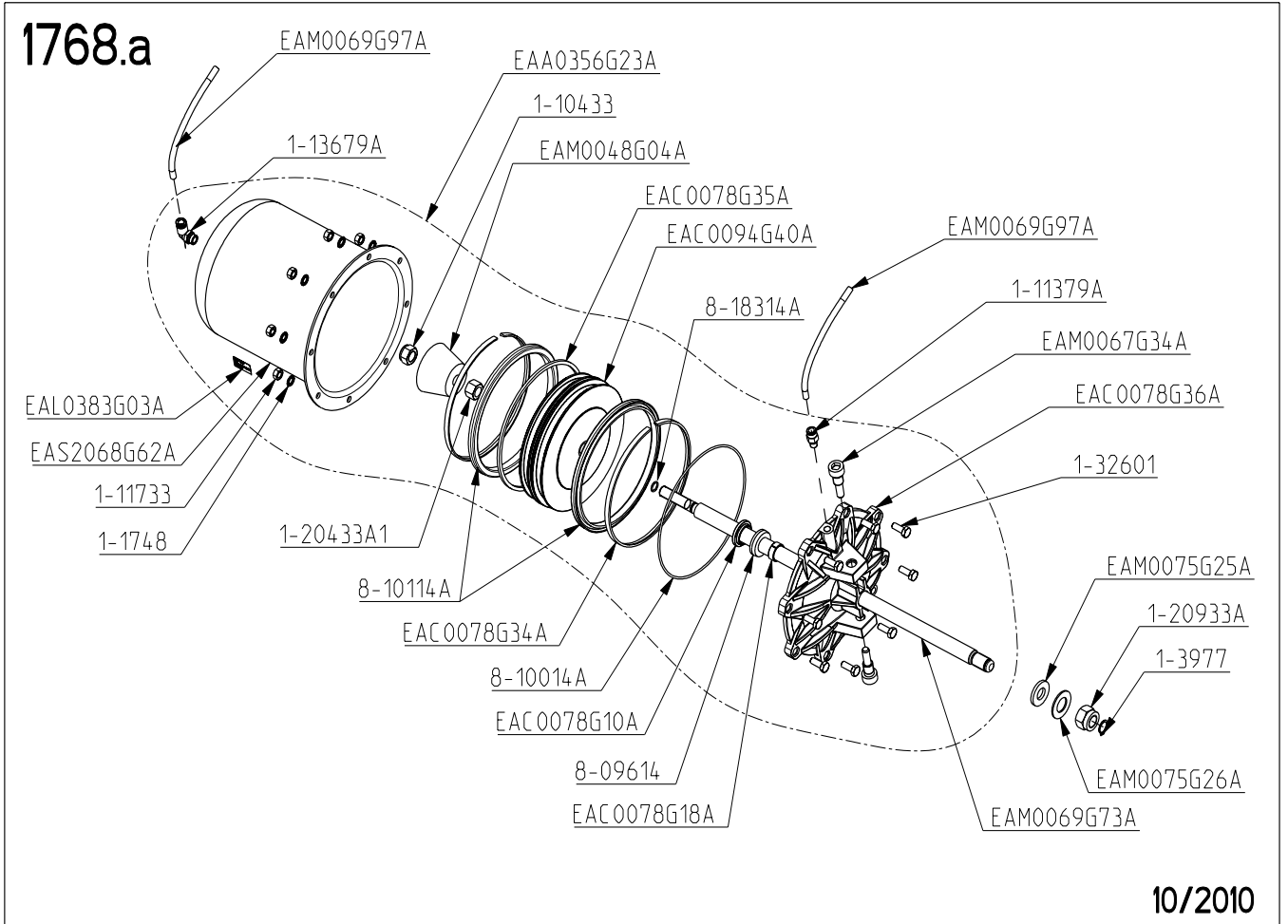
C

D

E



05/2010



Booklet number: 255 _ REV. E _

1526.b

A

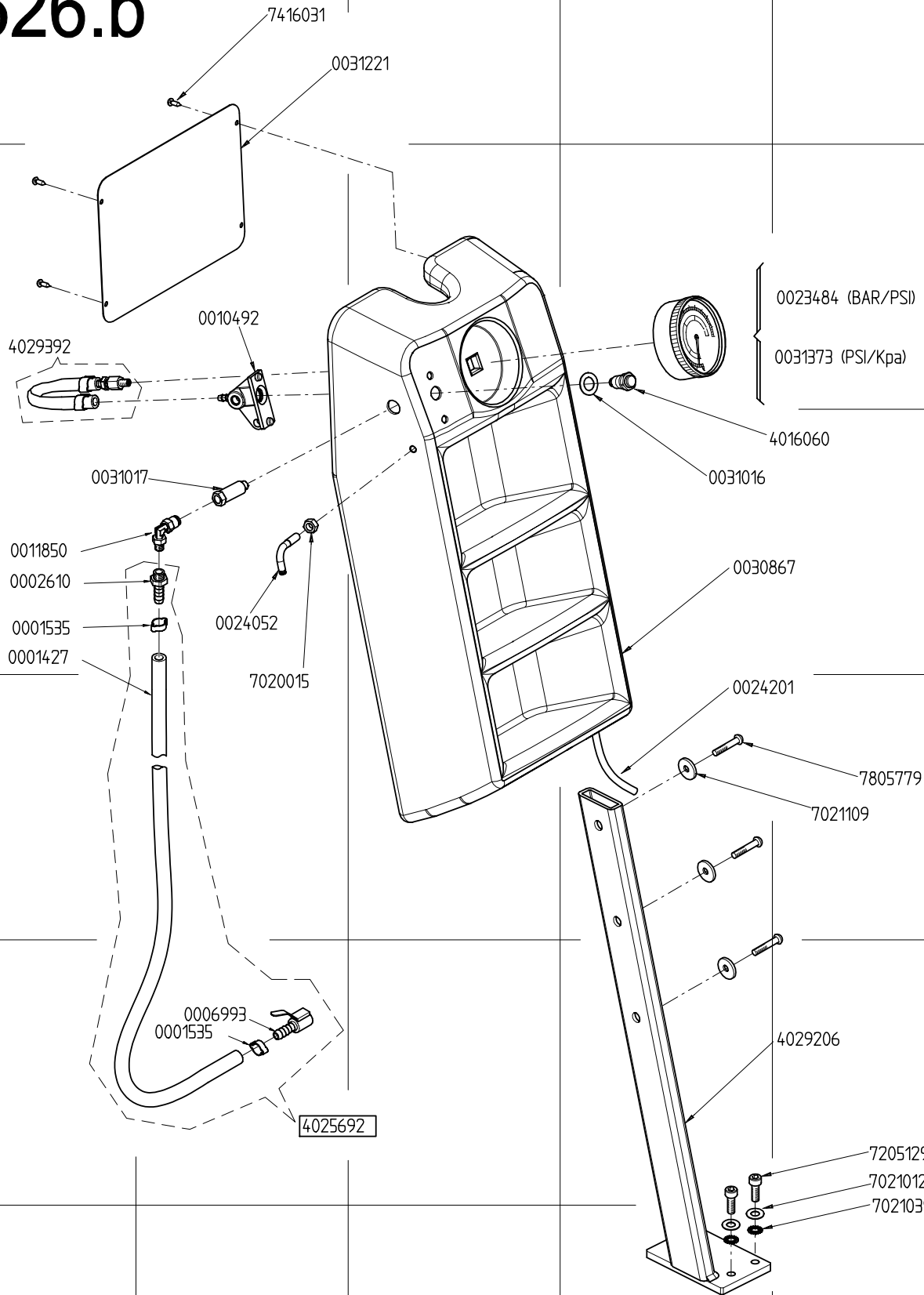
B

C

D

E

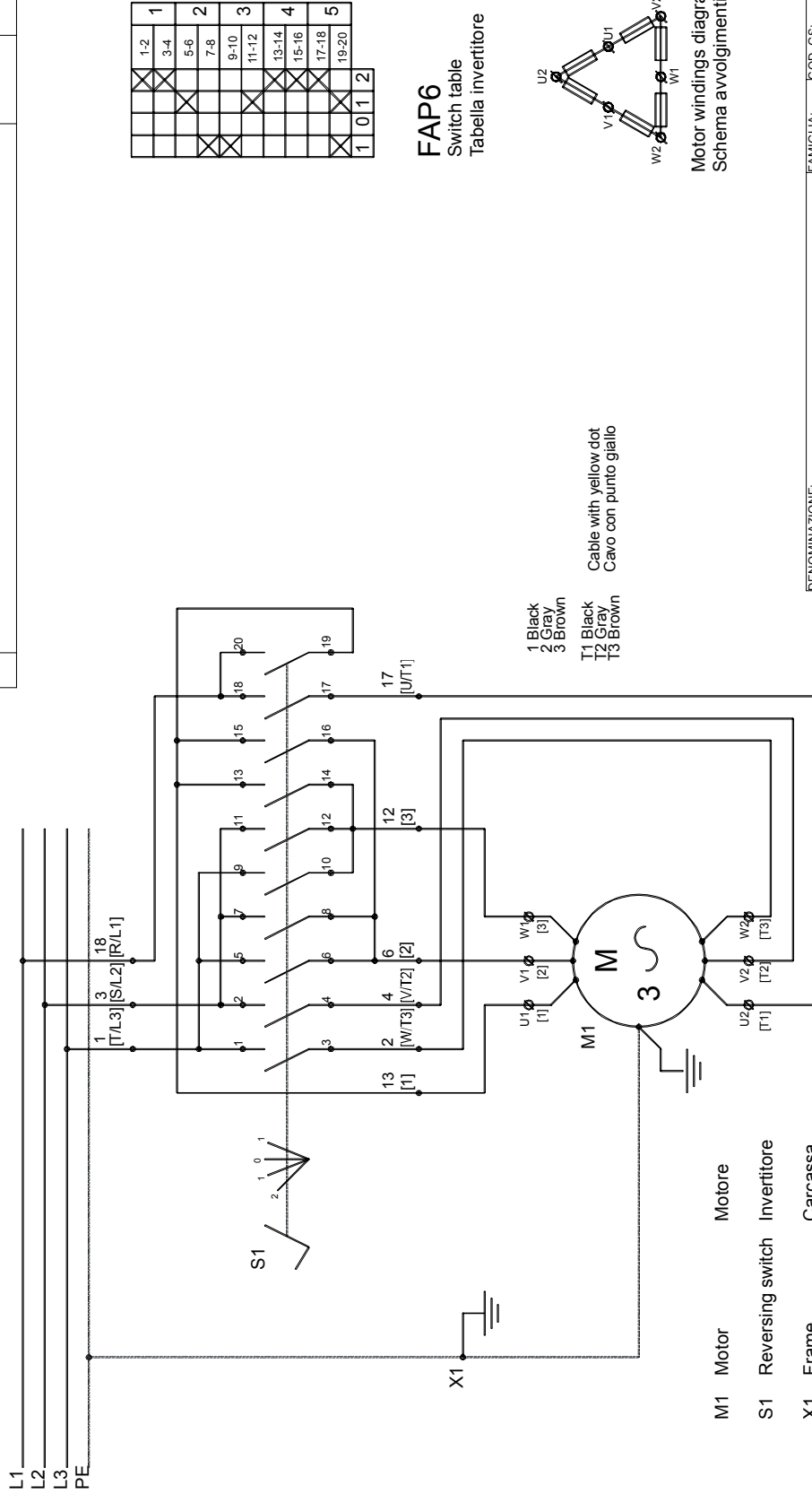
F



B L A N K P A G E

monty 3300 racing AT

Booklet number: 255	REV. E		
EEWH603BWD			
SHEET 1 OF 1			
	CHANGES - MODIFICHE	DATE	NAME
	A Production release	2008.03.21	N. Castagnoli



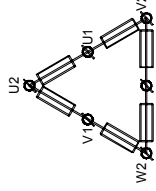
- 1 Black
 - 2 Gray
 - 3 Brown
- T1 Black
T2 Gray
T3 Brown

Cable with yellow dot
Cavo con punto giallo

	1-2	1
	3-4	
	5-6	2
	7-8	
	9-10	3
	11-12	
	13-14	4
	15-16	
	17-18	5
	19-20	
1	0	1
2		

FAP6

Switch table
Tabella invertitore



Motor windings diagram
Schema avvolgimenti motore

- M1 Motor Motore
- S1 Reversing switch Invertitore
- X1 Frame Carcassa

3 Ph 2 SPEED

DENOMINAZIONE: SCHEMA ELETTRICO SMONTAGOMME 2 VELOCITA		FAMIGLIA: 824	COD. GS: 0034170
THE DATA, DRAWINGS, AND INFORMATION CONTAINED IN THIS DOCUMENT IS CONFIDENTIAL AND THE SOLE PROPERTY OF SNAP-ON, AND MAY NOT BE REPRODUCED, USED, OR DISCLOSED WITHOUT WRITTEN PERMISSION OF AN OFFICER OF SNAP-ON.			
UNLESS OTHERWISE SPECIFIED DIMENSIONS ARE IN MILLIMETERS		MATERIAL	
OVER 6.5 TO 6.0 ± 0.1		FINISH	CORREGGIO, ITALY
OVER 6.0 TO 3.0 ± 0.3		PROJ NO	MONTY
OVER 3.0 TO 1.5 ± 0.5		DR	N. Castagnoli 2008-03-21
HOLES ± 0.1		CK	
SHEET METAL ± 0.5			
SURFACE: ISO 1302			
	A3	APP	RELEASE REV. A
	GM	QUALITY DOC	EWH603BWD
		SUPERCEDES	SHEET 1 OF 1
	FIRST ANGLE PROJECTION		
	REV/PCN HISTORY		
	A 08G0051		

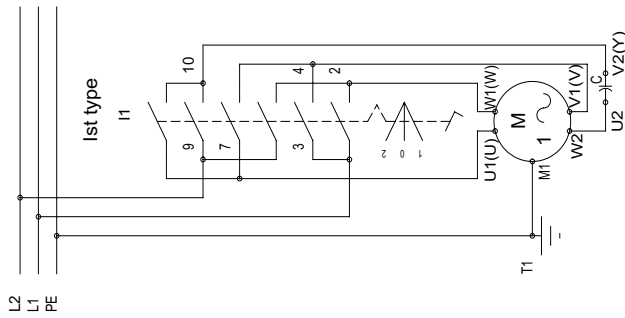


TYRE CHANGER
WIRING DIAGRAM
2 SPEED

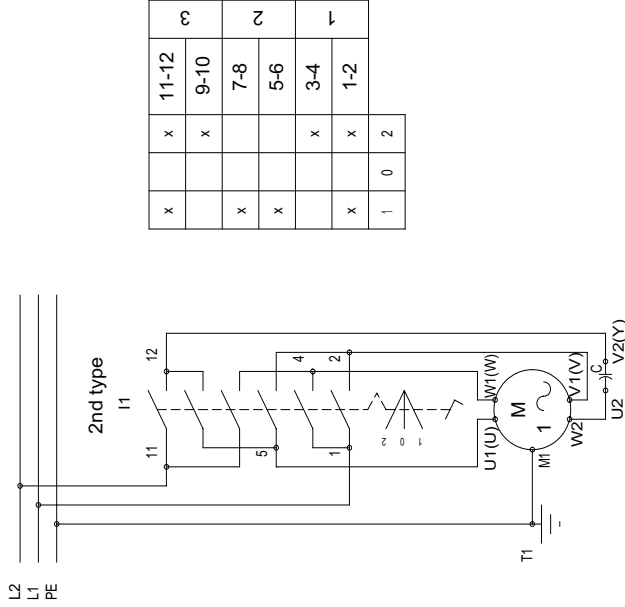
EEWH707AWD
SHEET 1 OF 1

1 Ph
230V

REV	CHANGES / MODIFICHE	DATE	NAME
A	Production release	1988.07.13	N. Castagnoli
B		2010.03.22	N. Castagnoli



	x	
	x	
	x	
	x	
	x	
	x	
1	0	2

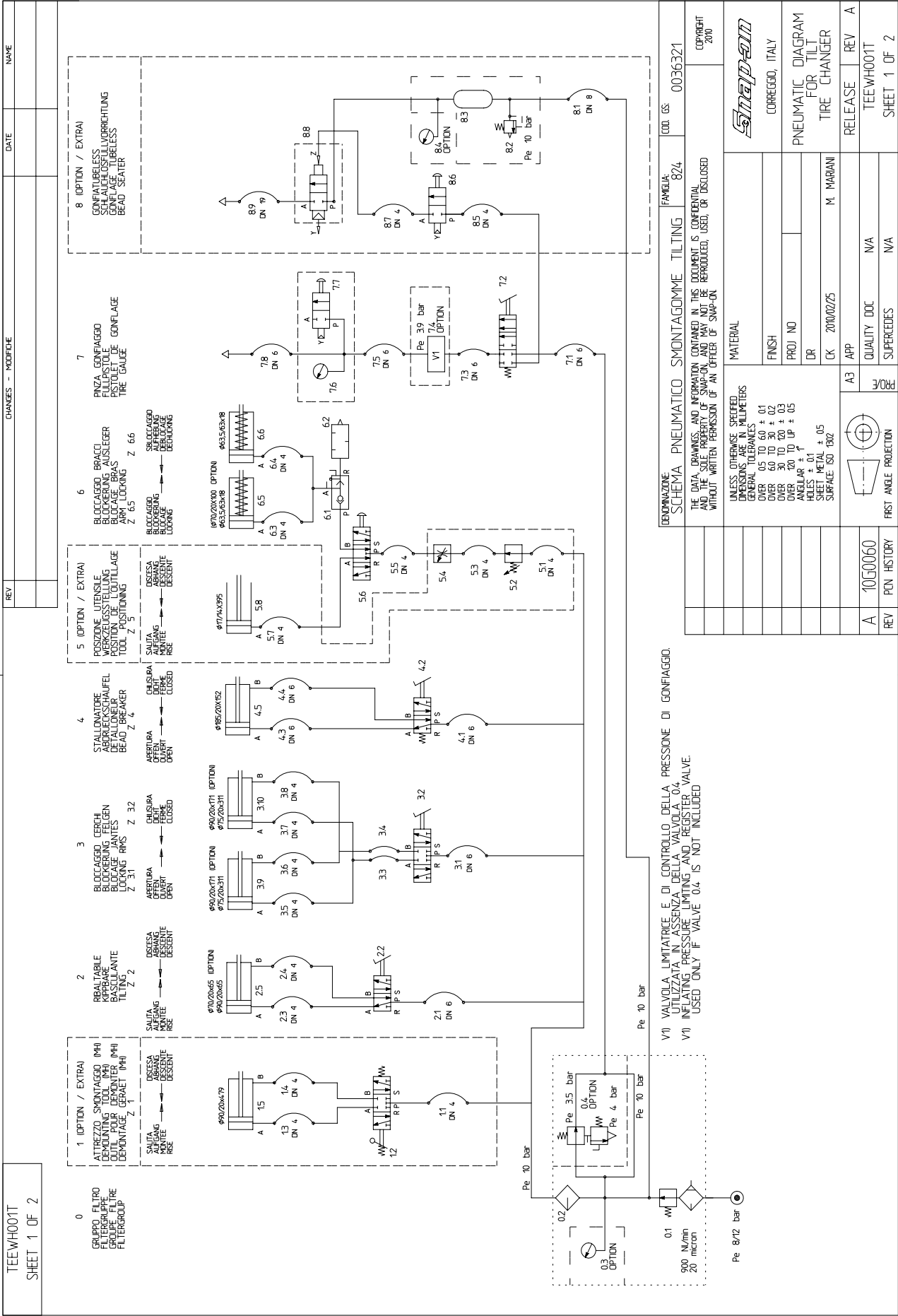


x		x	11-12	∞
	x		9-10	
x			7-8	2
	x		5-6	
		x	3-4	1
		x	1-2	
1	0	2		

- C condensatore condensateur capacitor
- I1 invertitore inverseur reversing switch
- M1 motore moteur motor
- T1 carcassa chassis frame
- Kondensator
- Wendeschalter
- Motor
- Gehause

DENOMINAZIONE:		FAMIGLIA:	COD. GS:
SCHEMA ELETRICO SMONTAGOMME MONOFASE		824	0009017
THE DATA DRAWINGS AND INFORMATION CONTAINED IN THIS DOCUMENT IS CONFIDENTIAL AND THE SOLE PROPERTY OF SNAP-ON. IT MAY NOT BE REPRODUCED, USED, OR DISCLOSED WITHOUT WRITTEN PERMISSION OF AN OFFICER OF SNAP-ON.			
UNLESS OTHERWISE SPECIFIED: DIMENSIONS IN MILLIMETERS GENERAL TOLERANCES		MATERIAL	
OVER 0.5 TO 6.0 ± 0.1		FINISH	
OVER 6.0 TO 30 ± 0.3		CORREGGIO, ITALY	
OVER 30 TO 120 ± 0.5		PROJ NO EKO	
OVER 120 TO UP ± 0.5		DR N. Castagnoli 13-07-88	
ANGULAR ± 1°		CK	
HOLES ± 0.1		APP	
SHEET METAL ± 0.5		A3	
SURFACE: ISO 1302		QUALITY DOC N/A	
FIRST ANGLE PROJECTION		SUPERCEDES N/A	
B 10G0082		REV B	EEWH707AWD
A		REV B	SHEET 1 OF 1
REV PCN HISTORY			





REV	CHANGES - MODIFICHE	DATE	NAME

DESCRIPTION	SCHEMA PNEUMATICO SMONTAGGOME TILTING	FAMIGLIA: 824	COD. GS: 0036321	COPYRIGHT 2010
<p>THE DATA, DRAWINGS, AND INFORMATION CONTAINED IN THIS DOCUMENT IS CONFIDENTIAL AND THE SOLE PROPERTY OF SNAPO-ON, AND MAY NOT BE REPRODUCED, USED, OR DISCLOSED WITHOUT WRITTEN PERMISSION OF AN OFFICER OF SNAPO-ON</p>				
<p>UNLESS OTHERWISE SPECIFIED GENERAL TOLERANCES DIMENSIONS ARE IN MILLIMETERS</p> <p>OVER 05 TO 60 ± 01 OVER 60 TO 30 ± 02 OVER 30 TO 10 ± 03 ANGLES ± 1° HOLES ± 01 SHEET METAL ± 05 SURFACE ISO 1302</p>				
<p>MATERIAL CORREGGIO, ITALY</p>				
<p>FINISH PNEUMATIC DIAGRAM FOR TILT</p>				
<p>PROJ. NO. DR. CK. 2010/02/25 M. MARIANI</p>				
<p>APP. A3</p>				
<p>QUALITY DOC. N/A</p>				
<p>SUPERCEDES N/A</p>				
<p>RELEASE REV. A</p>				
<p>TEEW001T</p>				
<p>SHEET 1 OF 2</p>				

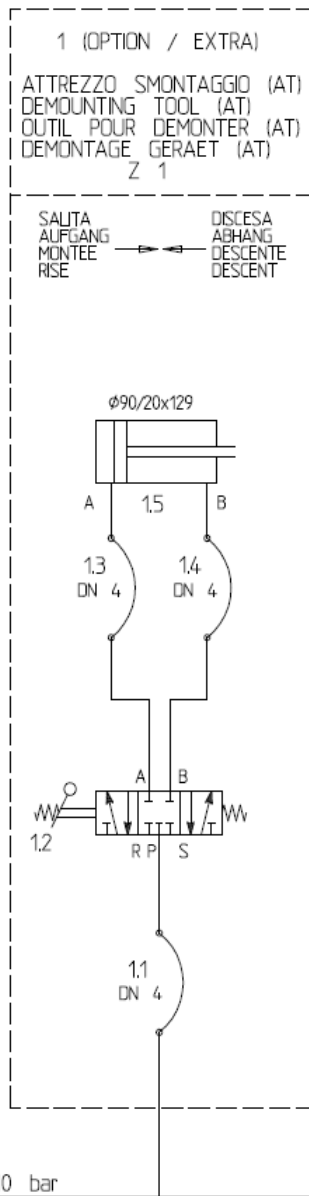
V1) VALVOLA LIMITATRICE E DI CONTROLLO DELLA PRESSIONE DI GONFIAGGIO.
 UTILIZZATA IN ASSANZA DELLA VALVOLA 04
 V1) INFLATING PRESSURE LIMITING AND REGISTER VALVE.
 USED ONLY IF VALVE 04 IS NOT INCLUDED

monty 3300 racing AT

8.9	1	TUBO FLESSIBILE	SCHLAUCH	TUYAU FLEXIBLE	FLEXIBLE HOSE	MANULI
8.8	1	VALVOLA A COMANDO PNEUMATICO	VENTIL MIT PNEUM. STEUERUNG	VANNE A COMMANDE PNEUMATIQUE	VALVE WITH PNEUMATIC DRIVE	KPM / AUTEL
8.7	1	TUBO FLESSIBILE	SCHLAUCH	TUYAU FLEXIBLE	FLEXIBLE HOSE	MAZZER
8.6	1	VALVOLA A 2 VIE	ZWEISEITIGE VENTIL	VANNE A 2 VOIES	TWOWAY VALVE	Snap-on
8.5	1	TUBO FLESSIBILE	SCHLAUCH	TUYAU FLEXIBLE	FLEXIBLE HOSE	MAZZER
8.4	1	MANOMETRO	MANOMETER	MANOMETRE	MANOMETER	AIREX
8.3	1	SERBATOIO	TANK	RESERVOIR	TANK	Snap-on / FABBRI
8.2	1	VALVOLA DI SICUREZZA	SICHERHEITSVENTIL	VANNE DE SICURETE	SAFETY VALVE	STIMA
8.1	1	TUBO FLESSIBILE	SCHLAUCH	TUYAU FLEXIBLE	FLEXIBLE HOSE	MAZZER
7.8	1	TUBO FLESSIBILE	SCHLAUCH	TUYAU FLEXIBLE	FLEXIBLE HOSE	MANULI
7.7	1	VALVOLA A 2 VIE	ZWEISEITIGE VENTIL	VANNE A 2 VOIES	TWOWAY VALVE	Snap-on
7.6	1	MANOMETRO	MANOMETER	MANOMETRE	MANOMETER	WIKA
7.5	1	TUBO FLESSIBILE	SCHLAUCH	TUYAU FLEXIBLE	FLEXIBLE HOSE	MAZZER
7.4	1	AIR CONTROL	AIR CONTROL	AIR CONTROL	AIR CONTROL	Snap-on
7.3	1	TUBO FLESSIBILE	SCHLAUCH	TUYAU FLEXIBLE	FLEXIBLE HOSE	MAZZER
7.2	1	VALVOLA A 4 VIE	VIERSEITIGE VENTIL	VANNE A 4 VOIES	FOURWAY VALVE	Snap-on
7.1	1	TUBO FLESSIBILE	SCHLAUCH	TUYAU FLEXIBLE	FLEXIBLE HOSE	MAZZER
6.6	1	CILINDRO A SEMPLICE EFFETTO	EINFACH WIRKENDE ZYLINDER	VERIN A SIMPLE EFFET	SINGLE EFFECT CYLINDER	Snap-on
6.5	1	CILINDRO A SEMPLICE EFFETTO	EINFACH WIRKENDE ZYLINDER	VERIN A SIMPLE EFFET	SINGLE EFFECT CYLINDER	Snap-on
6.4	1	TUBO FLESSIBILE	SCHLAUCH	TUYAU FLEXIBLE	FLEXIBLE HOSE	MAZZER
6.3	1	TUBO FLESSIBILE	SCHLAUCH	TUYAU FLEXIBLE	FLEXIBLE HOSE	MAZZER
6.2	1	SILENZIATORE	SILENCER	SILENCIEUX	SCHALLDAMPFER	GENERAL CONTROL
6.1	1	VALVOLA DI SCARICO RAPIDO	RAPID EXHAUST VALVE	SOUPAPE D'ECHAPPEMENT RAPIDE	SCHNELLENTLUFTUNGS VENTIL	CAMOZZI
5.8	1	CILINDRO A SEMPLICE EFFETTO	EINFACH WIRKENDE ZYLINDER	VERIN A SIMPLE EFFET	SINGLE EFFECT CYLINDER	Snap-on
5.7	1	TUBO FLESSIBILE	SCHLAUCH	TUYAU FLEXIBLE	FLEXIBLE HOSE	MAZZER
5.6	1	VALVOLA A 5 VIE	FUNFSEITIGE VENTIL	VANNE A 5 VOIES	FIVEWAY VALVE	Snap-on
5.5	1	TUBO FLESSIBILE	SCHLAUCH	TUYAU FLEXIBLE	FLEXIBLE HOSE	MAZZER
5.4	1	VALVOLA REGOLATRICE DI PORTATA	GESCHALTETES STROMREGELVENTIL	REGULATEUR DE DEBIT	FLOW CONTROL VALVE	CAMOZZI
5.3	1	TUBO FLESSIBILE	SCHLAUCH	TUYAU FLEXIBLE	FLEXIBLE HOSE	MAZZER
5.2	1	RIDUTTORE	REDUKTOR	REDUCTEUR	REDUCER	STAMPOTECNICA
5.1	1	TUBO FLESSIBILE	SCHLAUCH	TUYAU FLEXIBLE	FLEXIBLE HOSE	MAZZER
4.5	1	CILINDRO A DOPPIO EFFETTO	DOPPELTWIRKENDER ZYLINDER	VERIN A DOUBLE EFFET	DOUBLE EFFECT CYLINDER	Snap-on
4.4	1	TUBO FLESSIBILE	SCHLAUCH	TUYAU FLEXIBLE	FLEXIBLE HOSE	MAZZER
4.3	1	TUBO FLESSIBILE	SCHLAUCH	TUYAU FLEXIBLE	FLEXIBLE HOSE	MAZZER
4.2	1	VALVOLA A 5 VIE	FUNFSEITIGE VENTIL	VANNE A 5 VOIES	FIVEWAY VALVE	Snap-on
4.1	1	TUBO FLESSIBILE	SCHLAUCH	TUYAU FLEXIBLE	FLEXIBLE HOSE	MAZZER
3.10	1	CILINDRO A DOPPIO EFFETTO	DOPPELTWIRKENDER ZYLINDER	VERIN A DOUBLE EFFET	DOUBLE EFFECT CYLINDER	Snap-on
3.9	1	CILINDRO A DOPPIO EFFETTO	DOPPELTWIRKENDER ZYLINDER	VERIN A DOUBLE EFFET	DOUBLE EFFECT CYLINDER	Snap-on
3.8	1	TUBO FLESSIBILE	SCHLAUCH	TUYAU FLEXIBLE	FLEXIBLE HOSE	MAZZER
3.7	1	TUBO FLESSIBILE	SCHLAUCH	TUYAU FLEXIBLE	FLEXIBLE HOSE	MAZZER
3.6	1	TUBO FLESSIBILE	SCHLAUCH	TUYAU FLEXIBLE	FLEXIBLE HOSE	MAZZER
3.5	1	TUBO FLESSIBILE	SCHLAUCH	TUYAU FLEXIBLE	FLEXIBLE HOSE	MAZZER
3.4	1	TUBO FLESSIBILE	SCHLAUCH	TUYAU FLEXIBLE	FLEXIBLE HOSE	MAZZER
3.3	1	TUBO FLESSIBILE	SCHLAUCH	TUYAU FLEXIBLE	FLEXIBLE HOSE	MAZZER
3.2	1	VALVOLA A 5 VIE	FUNFSEITIGE VENTIL	VANNE A 5 VOIES	FIVEWAY VALVE	Snap-on
3.1	1	TUBO FLESSIBILE	SCHLAUCH	TUYAU FLEXIBLE	FLEXIBLE HOSE	
2.5	1	CILINDRO A DOPPIO EFFETTO	DOPPELTWIRKENDER ZYLINDER	VERIN A DOUBLE EFFET	DOUBLE EFFECT CYLINDER	Snap-on
2.4	1	TUBO FLESSIBILE	SCHLAUCH	TUYAU FLEXIBLE	FLEXIBLE HOSE	MAZZER
2.3	1	TUBO FLESSIBILE	SCHLAUCH	TUYAU FLEXIBLE	FLEXIBLE HOSE	MAZZER
2.2	1	VALVOLA A 5 VIE	FUNFSEITIGE VENTIL	VANNE A 5 VOIES	FIVEWAY VALVE	Snap-on
2.1	1	TUBO FLESSIBILE	SCHLAUCH	TUYAU FLEXIBLE	FLEXIBLE HOSE	MAZZER
1.5	1	CILINDRO A DOPPIO EFFETTO	DOPPELTWIRKENDER ZYLINDER	VERIN A DOUBLE EFFET	DOUBLE EFFECT CYLINDER	Snap-on
1.4	1	TUBO FLESSIBILE	SCHLAUCH	TUYAU FLEXIBLE	FLEXIBLE HOSE	MAZZER
1.3	1	TUBO FLESSIBILE	SCHLAUCH	TUYAU FLEXIBLE	FLEXIBLE HOSE	MAZZER
1.2	1	VALVOLA A 5 VIE	FUNFSEITIGE VENTIL	VANNE A 5 VOIES	FIVEWAY VALVE	STAMPOTECNICA
1.1	1	TUBO FLESSIBILE	SCHLAUCH	TUYAU FLEXIBLE	FLEXIBLE HOSE	MAZZER
0.4	1	RIDUTTORE + VALVOLA DI SICUREZZA	REDUKTOR + SICHERHEITSVENTIL	REDUCTEUR + SOUPAPE DE SICURETE	REDUCER + SAFETY VALVE	STAMPOTECNICA
0.3	1	MANOMETRO	MANOMETER	MANOMETRE	MANOMETER	AIREX
0.2	1	LUBRIFICATORE	SCHMIERVORRICHTUNG	LUBRIFIANT	LUBRIFICATOR	STAMPOTECNICA
0.1	1	FILTRO + RIDUTTORE	FILTER + REDUKTOR	FILTRE + REDUCTEUR	FILTER + REDUCER	STAMPOTECNICA
N.	Q.TA Stuck Q.TE Q.TY	DENOMINAZIONE	BENENNUNG	DESCRIPTION	DESCRIPTION	PRODUTTORE HERSTELLER PRODUCTEUR PRODUCER

		PROJ NO. -	SCALE NO	Snap-on	Correggio (RE) - ITALY	
		DR MARIANI				
		DATE 2010/03/03		PNEUMATIC DIAGRAM FOR TILT T/CHANGER	Release	REV A
A	10G0060	QUALITY DOC -			TEEWH001T	
REV	PCN HISTORY	SUPERCEDES -			SHEET 2 OF 2	

Booklet number: 255 _ REV. E



1.5	1	CILINDRO A DOPPIO EFFETTO	DOPPELTWIRKENDER ZYLINDER	VERIN A DOUBLE EFFET	DOUBLE EFFECT CYLINDER	Snap-on
1.4	1	TUBO FLESSIBILE	SCHLAUCH	TUYAU FLEXIBLE	FLEXIBLE HOSE	MAZZER
1.3	1	TUBO FLESSIBILE	SCHLAUCH	TUYAU FLEXIBLE	FLEXIBLE HOSE	MAZZER
1.2	1	VALVOLA A 5 VIE	FUNFSEITIGE VENTIL	VANNE A 5 VOIES	FIFEWAY VALVE	STAMPOTECNICA
1.1	1	TUBO FLESSIBILE	SCHLAUCH	TUYAU FLEXIBLE	FLEXIBLE HOSE	MAZZER

N.	Q.TA' Stuck Q.TE' Q.TY	DENOMINAZIONE	BENENNUNG	DESCRIPTION	DESCRIPTION	PRODUTTORE HERSTELLER PRODUCTEUR PRODUCER
----	---------------------------------	---------------	-----------	-------------	-------------	--

		PROJ NO. -	SCALE NO	Snap-on Correggio (RE) - ITALY		
		DR MARIANI			Release	REV A
		DATE 2010/05/21	PNEUMATIC DIAGRAM FOR AUTOMATIC TOOL		0036442	
A	10G0130	QUALITY DOC -			TEEWH001U	
REV	PCN HISTORY	SUPERCEDES -				

Booklet number: 255 _ REV. E _

B L A N K P A G E

B L A N K P A G E

ITA - DICHIARAZIONE CE DI CONFORMITA'

ENG - DECLARATION OF CE CONFORMITY
SPA - DECLARACIÓN CE DE CONFORMIDAD
POR - DECLARAÇÃO CE DE CONFORMIDADE
ALB - DEKLARATË KONFORMITETI KE
BUL - ДЕКЛАРАЦИЯ ЗА СЪОТВЕТСТВИЕ
CES - ES PROHLÁŠENÍ O SHODĚ
HRV - DEKLARACIJA CE O PODOBNOSTI
DAN - EF-OVERENSSTEMMELSESERKLÆRING
EST - EÜ VASTAVUSDEKLARATSIOON
FIN - EY-VAATIMUSTENMUKAISUUSVAKUUTUS
ELL - ΔΗΛΩΣΗ CE ΣΥΜΜΟΡΦΩΣΗΣ
ISL - EB-SAMRÆMISYFIRLÝSING
LAV - ES ATBILSTÍBAS DEKLARÁCIJA
FRA - DECLARATION CE DE CONFORMITE
DEU - KONFORMITÄTSERKLÄRUNG
LIT - ATITIKTIES DEKLARACIJA
MKD - "EC" ДЕКЛАРАЦИЈА ЗА СООБРАЗНОСТ
MON - DEKLARACIJA CE O USKLABENOSTI
NLD - VERKLARING VAN OVEREENSTEMMING
POL - DEKLARACJA ZGODNOŚCI "CE"
RUM - DECLARAȚIE DE CONFORMITATE CU NORMELE CE
SLO - ES VYHLÁSENIE O ZHODE
SLV - IZJAVA O SKLADNOSTI CE
SWE - EG-FÖRSÄKRAN OM ÖVERENSSTÄMMELSE
TUR - EC UYGUNLUK BEYANNAMESİ
HUN - EK MEGFELELŐSÉGI NYILATKOZAT

Snap-on Equipment Srl
Via Provinciale per Carpi, 33
42015 Correggio (RE) Italy

ITA - dichiara sotto la propria responsabilità che la macchina: SMONTAGOMME
ENG - takes full responsibility for declaring that the machine: **TIRE CHANGER**
SPA - declara bajo su propia responsabilidad que la máquina: **DESMONTADOR DE NEUMÁTICOS**
POR - declara sob a própria responsabilidade que a máquina: **DEMONTADORA DE PNEUS**
FRA - déclare sous sa propre responsabilité que la machine : **DEMONTE-PNEUS**
DEU - erklårt auf eigene Verantwortung, dass die Maschine: **REIFENMONTIERMASCHINE**
ALB - deklarón nën përgjegjësinë e tij se makineria: **ÇMONTUESE GOMASH**
BUL - декларира под отговорност, че машината: **МАШИНА ЗА ДЕМОНТАЖ НА ГУМИ**
CES - prohlašuje na vlastní zodpovědnost, že strojní zařízení: **ZOUVAČKA PNEUMATIK**
HRV - izjavljuje pod vlastitom odgovornošću da stroj: **DEMONTIRAČ GUMA**
DAN - erklærer på eget ansvar, at maskinen: **DÆKAFMONTERINGSMASKINE**
EST - kinnitab omal vastutusel, et aparaat: **REHVIHAHETUSSEADE**
FIN - vakuuttaa omalla vastuullaan, että kone: **RENKAANVAIHTOKONE**
ELL - δηλώνει υπεύθυνα ότι η μηχανή: **ΜΟΧΛΟΣ ΑΦΑΙΡΕΣΗΣ ΑΕΡΟΘΑΛΛΑΜΟΥ**
ISL - lýsir því yfir á eigin ábyrgð að bíllinn: **AFFELGUNARVÉL**
LAV - apzinādamies savu atbildību apliecina, ka mašīna/iekārta: **RIEPU MONTĀPAS IEKĀRTA**
LIT - prisiimdama atsakomybę skelbia, kad mašina: **PADANGŲ KEITIMO PRIETAISAS**
MKD - изјавува под своја одговорност дека машината: **ДЕМОНТИРАЧ НА ГУМИ**
MON - izjavljuje pod vlastitom odgovorošću da mašina: **DEMONTIRKA GUMA**
NLD - verklaart voor eigen verantwoordelijkheid dat de machine: **BANDENLICHTER**
POL - oświadcza na własną odpowiedzialność, że maszyna: **URZĄDZENIE DO ZDEJMOWANIA OPON**
RUM - declară pe propria răspundere că mașina: **DISPOZITIV DE DEMONTAT CAUCIUCURI**
SLO - vyhlasuje na vlastnú zodpovednosť, že strojové zariadenie: **VYZÚVAČKA PNEUMATIK**
SLV - pod lastno odgovornostjo izjavljamo, da je stroj: **SNEMALEC GUM**
SWE - försäkrar under eget ansvar att maskinen: **DÄCKMONTERINGSMASKIN**
TUR - kendi sorumluluğu altında makinenin aşağıda belirtilen yönetmeliklere uygun olduğunu beyan etmektedir: **LASTİK SÖKÜCÜ**
HUN - a saját felelőssége tudatában kijelenti, hogy a gép: **GUMISZERELŐ**

HOFMANN

HOFMANN®



HOFMANN



- ITA** - è conforme a tutte le disposizioni pertinenti delle seguenti direttive:
ENG - complies with all the relevant regulations in the following directives:
SPA - es conforme con todas las disposiciones pertinentes a las siguientes directivas:
POR - satisfaz todas as disposições relevantes das seguintes directivas:
FRA - est conforme à toutes les dispositions pertinentes des directives suivantes :
DEU - Allen zu folgenden Richtlinien gehörenden Bestimmungen entspricht:
ALB - është konform me të gjitha dispozitat që kanë të bëjnë me direktivat e mëposhtme:
BUL - съответства на всички разпоредби, съдържащи се в следващите директиви:
CES - vyhovuje všem požadavkům, které se vztahují na následující směrnice:
HRV - udovoljava svim relevantnim odredbama slijedećih smjernica:
DAN - er i overensstemmelse med bestemmelserne i følgende direktiver:
EST - vastab järgmistele direktiivide kõikidele asjassepuutuvatele sätetele:
FIN - on seuraavien direktiivien asiaankuuluvien säännösten mukainen:
ELL - είναι σύμφωνο με όλες τις προβλέψεις σχετικές με τις ακόλουθες οδηγίες:
ISL - er í samræmi við allar viðeigandi tilskipanir eftirfarandi reglugerða:
LAV - atbilst visiem attiecīgajiem noteikumiem šādās direktīvās:
LIT - atitinka visus toliau nurodytų direktyvų reikalavimus:
MKD - e во согласност со сите норми од следниве директиви:
MON - je u skladu sa svim relevantnim odredbama sledećih direktiva:
NLD - overeenstemt met alle toepasselijke voorschriften van de volgende richtlijnen:
POL - jest zgodna (jest zgodny) ze wszystkimi zarządzeniami zawartymi w następujących dyrektywach:
SLO - vyhovuje všetkým požiadavkám, vzťahujúcim sa na nasledujúce smernice:
SLV - v skladu z vsemi predpisi, ki se nanašajo na naslednje direktive:
SWE - överensstämmer med alla bestämmelser tillhörande följande direktiv:
TUR - aşağıda belirtilen yönetmeliklere ilişkin tüm hükümlere uygundur:
HUN - megfelel a következő irányelvekbe foglalt, valamennyi rendelkezésnek:

2006/42/CE

2006/95/CE

2004/108/CE

ITA-Il Responsabile dell'Ufficio Tecnico è autorizzato a costituire il fascicolo tecnico di cui all'allegato VII lettera A della direttiva 2006/42/CE.

ENG-The Manager of the Technical Office is authorised to compile a technical leaflet in compliance with appendix VII, letter A, of the 2006/42/CE directive.

SPA-El Responsable del Departamento Técnico está autorizado a constituir el fascículo técnico indicado en el anexo VII letra A de la directiva 2006/42/CE.

POR-O Responsável do Gabinete Técnico está autorizado a compilar o processo técnico, referido no anexo VII alínea A da directiva 2006/42/CE.

FRA-Le Responsable du Bureau Technique est autorisé à constituer le fascicule technique visé sous l'annexe VII lettre A de la directive 2006/42/CE.

DEU-Der Leiter der technischen Abteilung ist bevollmächtigt, die technischen Unterlagen zu erstellen (siehe Anhang VII, Buchstabe A der Richtlinie 2006/42/CE).

ALB-Përgjegjësi i Zyrës Teknike është i autorizuar të realizojë fashikullin teknik sipas dokumentit bashkëngjitur VII germa A e direktivës 2006/42/KE.

BUL-Отговорникът на Техническия отдел е упълномощен да състави техническата брошура в съответствие с Приложение VII, буква „А“ на Директива 2006/42/EC.

CES-Zodpovědný pracovník technického oddělení je oprávněn vypracovat technickou dokumentaci podle přílohy VII části A Směrnice 2006/42/ES.

HRV-Odgovorna osoba Tehničkog ureda je ovlaštena ustrojiti tehnički svezak kako se vidi u dodatku VII slovo A smjernice 2006/42/CE.

DAN-Chefen i den tekniske afdeling har tilladelse til udarbejdelse af den tekniske dokumentation jf. bilag VII litra A i direktivet 2006/42/EF.

EST-Tehnoosakonna vastutav töötaja on volitatud koostama tehnilise toimiku vastavalt direktiivi 2006/42/EÜ VII lisa osale A.

FIN-Teknisen toimiston vastuhenkilö on valtuutettu kokoamaan tekninen eritelmä direktiivin 2006/42/EY liitteen VII kohdan A mukaisesti.

ELL-Ο Υπεύθυνος του Τεχνικού Γραφείου είναι εξουσιοδοτημένος να παράξει τον τεχνικό φάκελο σύμφωνα με το συνημμένο VII γράμμα Α της οδηγίας 2006/42/EK.

ISL-Ábyrgðarmanni tækniskrifstofunnar er heimilt að gera tækniskjalíð samkvæmt A-lið VII. viðauka í reglugerð 2006/42/EB.

LAV-Tehnikās nodaļas vadītājs ir pilnvarots sastādīt tehnisko dokumentāciju atbilstoši ES direktīvas 2006/42/EK VII pielikuma A iedaļai.

LIT-už techninių skyrių atsakingas asmuo yra įgaliotas sudaryti techninę bylą, kurios sudarymo tvarka nurodyta Direktyvos 2006/42/EB VII priedo A dalyje.

MKD-Одговорникот на техничкиот оддел е овластен да го состави техничкиот прирачник даден во прилог VII писмо А од директивата 2006/42/CE.

MON-Odgovorno lice Tehničkog ureda je ovlašteno da sastavi tehničku fasciklu kako se vidi u dodatku VII slovo A direktive 2006/42/CE.

NLD-Het Hoofd van de Technische Afdeling is gemachtigd om het technisch dossier samen te stellen waarover in Bijlage VII, afdeling A, van de richtlijn 2006/42/EG.

POL-Kierownik Biura Projektowego jest upoważniony do założenia skoroszytu technicznego, o którym mowa w Załączniku VII litera A dyrektywy 2006/42/UE.

RUM-Responsabilul Biroului Tehnic este autorizat să întocmească dosarul tehnic prevăzut în anexa VII litera A din directiva 2006/42/CE privind echipamentele tehnice.

SLO-Zodpovedný pracovník technického oddelenia je oprávnený vypracovať technickú dokumentáciu podľa prílohy VII časti A Smernice 2006/42/ES.

SLV-Vodja tehničnega urada je pooblaščen za sestavo tehnične mape, kot navedeno v prilogi VII, črka A direktive 2006/42/ES.

SWE-Ansvarig på det tekniska kontoret har behörighet att sammanställa medföljande teknisk dokumentation i enlighet med avsnitt A i bilaga VII i direktiv 2006/42/EG.

TUR-Teknik Ofis Sorumlusu 2006/42/EC Yönetmeliği'nin VII. ekinin A harfinde belirtilen teknik dosyayı hazırlamaya yetkilidir.

HUN-A Műszaki Iroda Irodavezetője feljogosított a 2006/42/EK irányelv A részének VII. Mellékletében meghatározott, műszaki dokumentáció összeállítására.

ITA-Direttore Operativo

ENG-Operations Manager **SPA**-Director Operativo **POR**-Director Operacional **FRA**-Directeur Opérationnel **DEU**-Betriebsleiter **ALB**-Drejtori Operativ **BUL**-Оперативен директор **CES**-Výkonný ředitel **HRV**-Operativni direktor **DAN**-Driftsleder **EST**-Tegevdirektor **FIN**-Operatiivinen johtaja **ELL**-Επιχειρησιακός Διευθυντής **ISL**-Starfandi framkvæmdarstjóri **LAV**-Operatīvais direktors **LIT**-Operacijų vadovas **MKD**-Оперативен директор **MON**-Operativni direktor **NLD**-Operationeel directeur **POL**-Dyrektor Operacyjny **RUM**-Director Operator **SLO**-Výkonný riaditeľ **SLV**-Operativni vodja **SWE**-Driftledare **TUR**-İşletme Müdürü **HUN**-Operatív Igazgató

Francesco Frezza



Correggio (RE) Italy,

F. Frezza

date: _____

UPDATING GUIDE

Rev.A		May 2010		
First release according to PCN: 10G0064 - 10G0099 - 10G0119				
Rev.B		September 2010		
REMOVED:	4774			
UPDATED:	1771.a			
PCN n°:	-			
Rev.C		October 2010		
REMOVED:	1020.i	1079.c		
UPDATED:	1020.l	1079.d		
PCN n°:	10G0200	-		
Rev.D		October 2010		<div style="border: 1px solid black; padding: 5px;"> <p>Rev. D1 December 2010</p> <p>VAS 6674 AT added</p> </div>
REMOVED:	4768			
UPDATED:	1768.a			
PCN n°:	10G0227			
Rev.E		February 2011		
REMOVED:	4771.a			
UPDATED:	1771.b			
PCN n°:	--			



Notice: The information contained in this document is subject to change without notice. **Hofmann** makes no warranty with regard to present documentation. **Hofmann** shall not be liable for errors contained herein or for incidental consequential damages in connection with furnishings, performance, or use of this material.

SOE Digital Code: SP_MONTY3300 RACAT_02-11_TEEWH737A3_RE